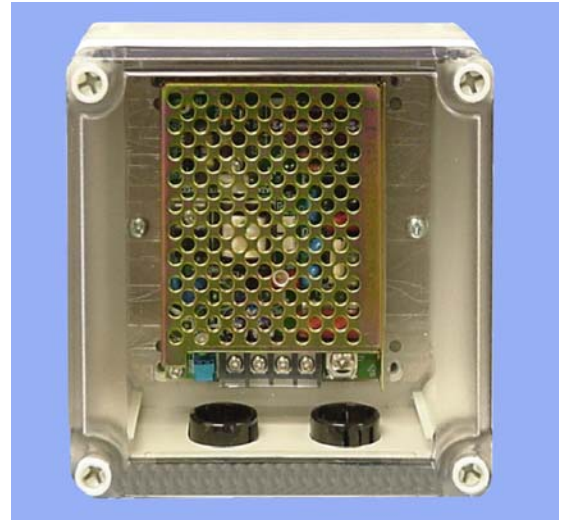




AC/DC POWER SUPPLY MODEL WE-103

Power Supplies for Instrumentation

The Model WE-103 is a general-purpose instrumentation power supply and is approved for all NEMA 4X applications. The WE-103 features a green LED DC output indicator in addition to a non-corrosive polycarbonate enclosure. This unit can be factory set to voltages ranging from 5 to 24 volts DC with current capacities from .5 to 2.4 amps DC. Excellent accuracy and stability and high output current switching design make the WE-103 the choice for powering multiple DC current control loops or peripheral equipment.



TECHNICAL SPECIFICATIONS

INPUT VOLTAGE:

115 V AC 50/60Hz

OUTPUT:

5, 12, 15, 24 Volts DC
2.4, 1.0, 0.8, 0.56 amps DC

ACCURACY:

+/-0.1%

LOAD/LINE REGULATION:

1.2%

OUTPUT RIPPLE:

10mvP/P

OPERATING TEMPERATURE RANGE:

0 to 71°C

ENCLOSURE:

NEMA-4X

L: 4.915" X W: 4.915" X H: 3.026"

FEATURES

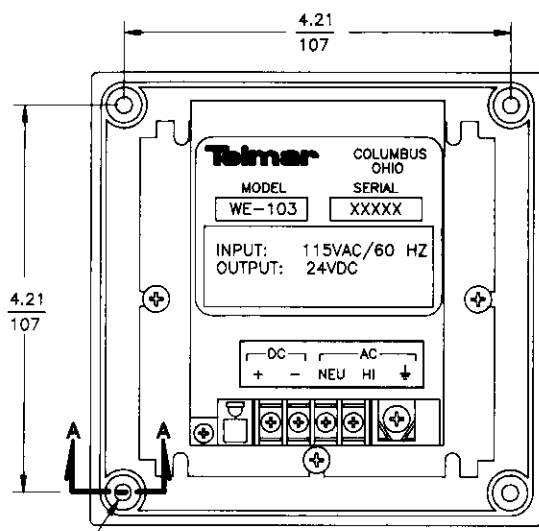
- Green LED Output Indicator
- NEMA-4X Enclosure
- ½" Conduit Openings
- High Current Output
- Conformal Coating
- 120 Hour Burn-in

OPTIONS

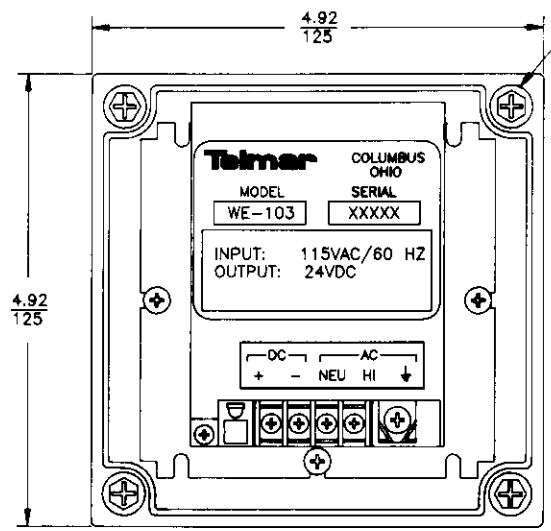
- Special Output Voltages
- Open Chassis Mounting-WE-108

Analynk Wireless, LLC ❖ 790 Cross Pointe Road ❖ Columbus, OH 43230
Phone: (614) 755-5091 Fax: (614) 861-5757 Web: www.analynk.com & www.telmarinc.com

DWG. NO.	WSD-C-5001
REVISIONS	
A	

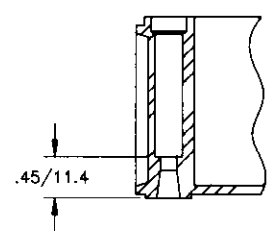


.18 / 5 DIA. MOUNTING HOLES, 4 PLACES.
TOP VIEW—COVER REMOVED

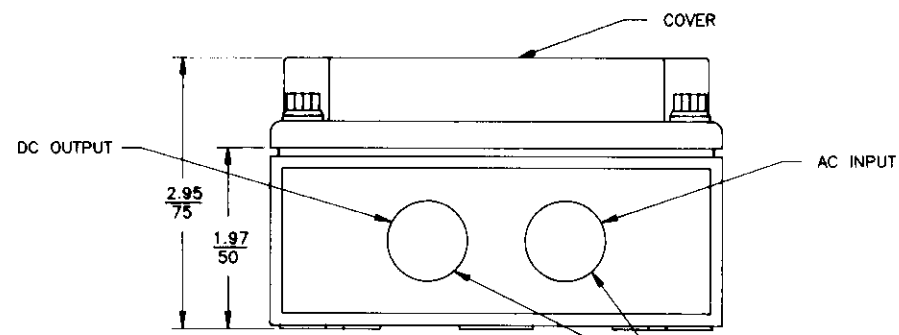


CAPTIVE SCREW IN COVER
 4 PLACES

TOP VIEW



SECTION A-A



FRONT VIEW

7/8" / 22.2 DIA. FOR 1/2"
 CONDUIT OR CABLE ENTRY

DWG
WSD-C-5001

- NOTES:
1. NEMA TYPE 4, TYPE 4X, TYPE 12, TYPE 13 GLASS FILLED POLYCARBONATE ENCLOSURE. FLAMMABILITY RATING: UL-94-5V.
 2. REFER TO SERIAL NUMBER TAG FOR INPUT/OUTPUT INFORMATION.
 3. POWER ON INDICATOR: GREEN LED

QUAN.	PART NO.	ITEM	DESCRIPTION	ORIG. DWG.	ITEM
			QUOTE OR ORDER NUMBER		
			Telmar Inc. COLUMBUS, OHIO		
			TITLE		
			FOR DC POWER SUPPLY MODEL WE-103		
			NEXT ASSY	DWG NO.	
				WSD-C-5001	