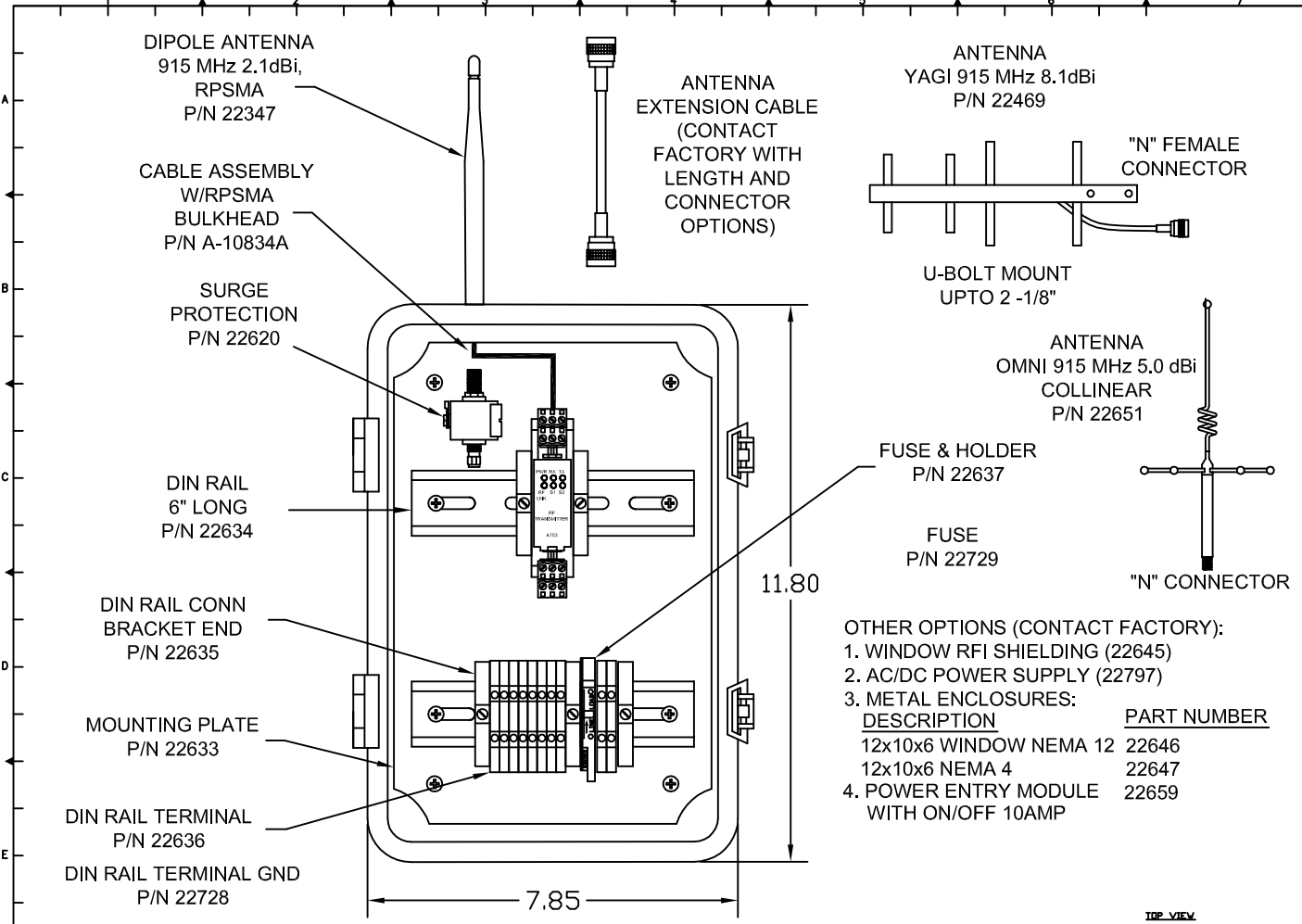
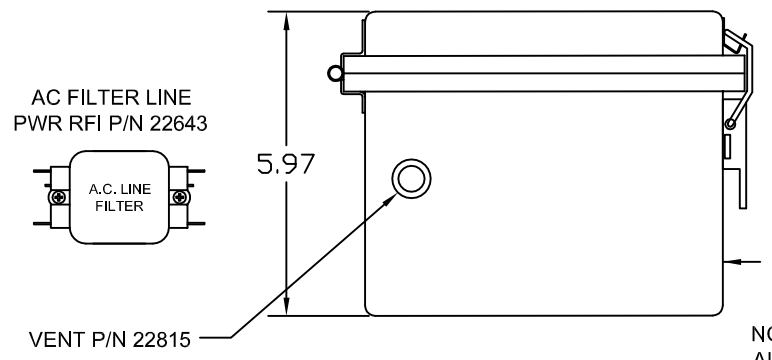
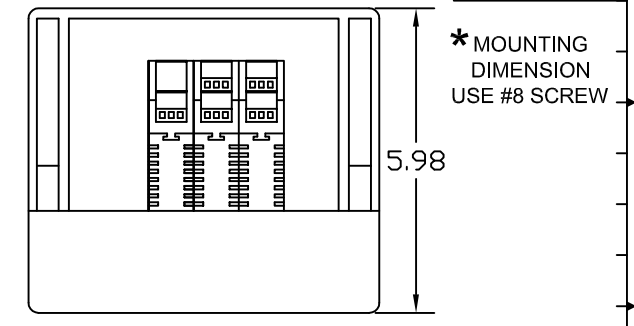
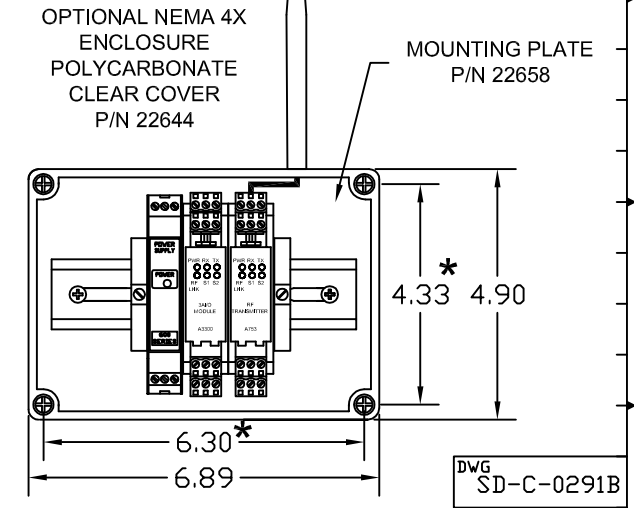


MISC.  
 SEALING WASHER: 10-32 PEM NUT 10-32 X 1/4" TRUSS HD SCREW P/N 23241 COAX RG174 P/N 22436 COAX RG58 P/N 22436 COAX LMR400 P/N 22616

|             |            |
|-------------|------------|
| DWG. NO.    | SD-C-0291B |
| REVISIONS   |            |
| LAST UPDATE | 10/25/2016 |



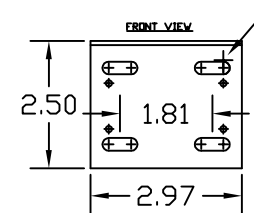
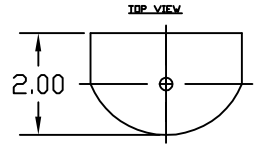
- OTHER OPTIONS (CONTACT FACTORY):
1. WINDOW RFI SHIELDING (22645)
  2. AC/DC POWER SUPPLY (22797)
  3. METAL ENCLOSURES:
- | DESCRIPTION                             | PART NUMBER |
|---|-------------|
| 12x10x6 WINDOW NEMA 12                  | 22646       |
| 12x10x6 NEMA 4                          | 22647       |
| 4. POWER ENTRY MODULE WITH ON/OFF 10AMP | 22659       |



ENCLOSURE  
NONMETALLIC  
NEMA 4X  
SOLID COVER  
(INCLUDES WALL  
MOUNT BRACKETS)  
P/N 22632

WITH CLEAR COVER  
P/N 22631

NOTE:  
ALL DIMENSIONS ARE IN INCHES.



SMA ANTENNA  
BRACKET  
P/N A-53661B

Ø0.25  
U-BOLTS AND STAINLESS  
STEEL HARDWARE  
P/N A-10853

www.analynk.com  
info@analynk.com

|   |  |
|---|--|
| QUOTE OR ORDER NUMBER                           |  |
| Dimensions in inches unless otherwise specified |  |
| DIMENSION TOLERANCES UNLESS OTHERWISE SPECIFIED |  |
| BASIC DIMENSIONS                                | FRACTIONAL DECIMAL                         |
| UP TO 6   | +/- 1/64 +/- .005                          |
| OVER 6 TO 24                                    | +/- 1/32 +/- .005                          |
| OVER 24   | +/- 1/16 +/- .010                          |
| SCALE   | 5X DO NOT SCALE DRAWING WORK TO DIMENSIONS |
| DRAWN   | RML DATE 07/09/09                          |
| CHECKED   | DATE                                       |
| APPROVED  | DATE                                       |

|   |                        |
|---|------------------------|
| <b>Analynk Wireless, LLC</b><br>790 CROSS POINTE ROAD<br>COLUMBUS, OHIO 43230 |                        |
| TITLE   | WIRELESS ENCLOSURE FOR |
| OPTIONS   |                        |
| NEXT ASS'Y  | DWG NO.                |
|   | SD-C-0291B             |

FILE NAME  
SD-C-0291B.DWG