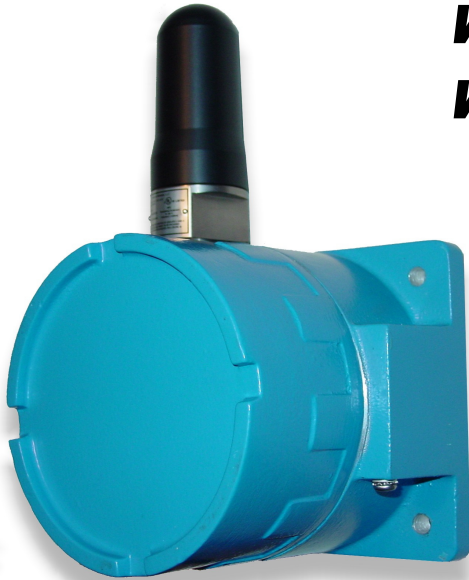




WEN-SERIES HAZARDOUS AREA WIRELESS ENCLOSURES



- Use your electronics in the hazardous area
- Industrial temperature range $-40^{\circ}\text{C} \leq T_a \leq +85^{\circ}\text{C}$
- 450-470MHz, 900MHz, 2.4GHz, 5GHz (dual bands available)
- Optional window & Extended Dome

Suitable for Class I, Div 1, Groups C & D & Class 1, Zone 1 applications

The WEN-Series enclosures are designed to facilitate installation of wireless electronics in the hazardous area. Utilizing our proprietary CTX series antennas, the enclosures are suitable for Class I, Div 1 Groups C & D and Class 1, Zone 1 applications. The enclosure is available with a 3.3" window. The standard enclosure offer 16 square inches to house your electronics, the extended version offers 24 square inches. The antenna has a 2.0dBi* gain and is available for common frequencies. An RF cable is supplied to connect the antenna to your electronics, specify connector type when ordering.

Ordering information:

WEN-401-NW 450MHz-470MHz no window
WEN-900-NW 900MHz, no window
WEN-2400-NW 2.4GHz, no window
WEN-2402-NW 2.4/5GHz, no window
WEN-5000-NW 5.0GHz, no window

WEN-401 450MHz-470MHz with window
WEN-900 900MHz, with window
WEN-2400 2.4GHz, with window
WEN-2402 2.4/5GHz, with window
WEN-5000 5.0MHz, with window

**WEN-401 series has 0db gain*

Note: Add EXT to part number for extended depth versions. Example WEN-900-NW-EXT, ATEX Zone 1 approval optional

Applications:

- Hazardous tank level monitoring
- Offshore platforms
- Chemical processing
- Power plants
- Utility systems where explosive gases may be present
- PCS, AMPS, GPRS, 802.11
- Wireless bridges
- Wireless Ethernet

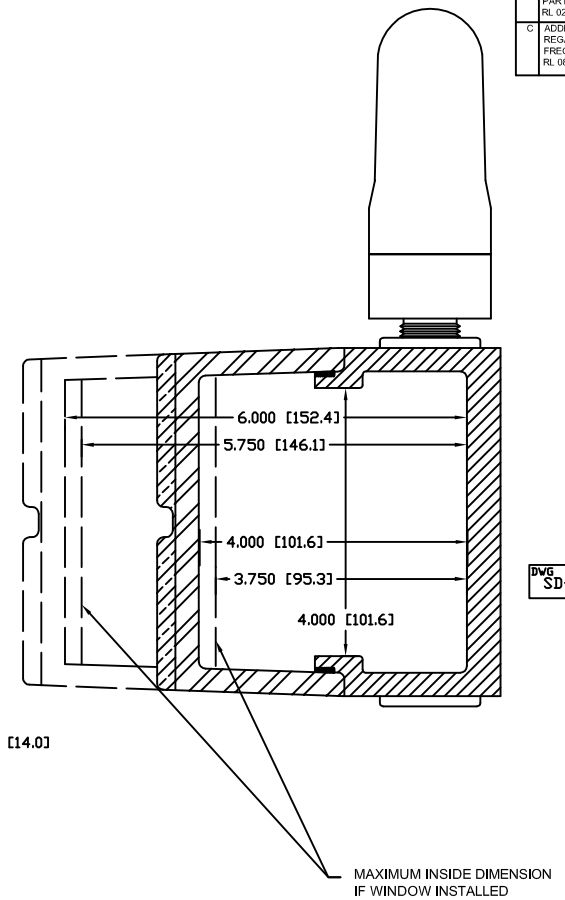
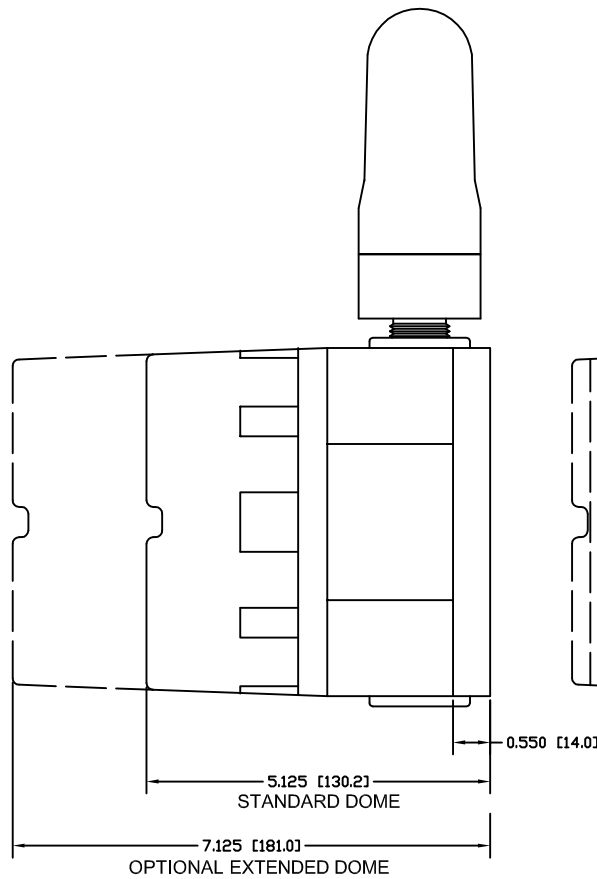
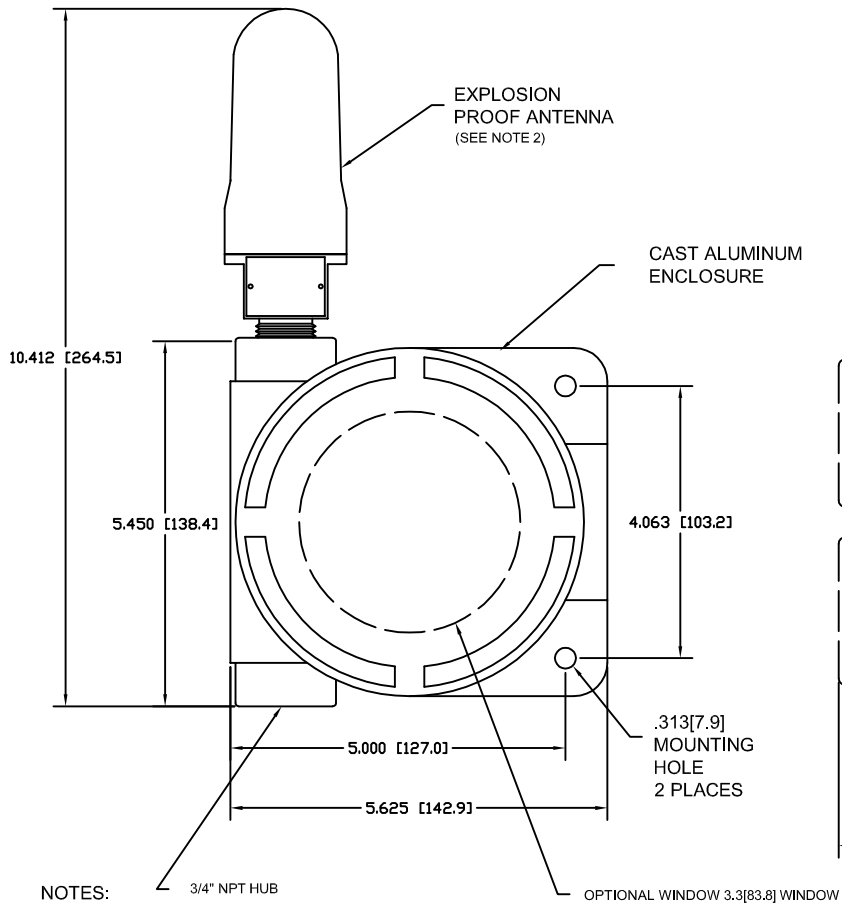
Note: Enclosures are provided by Adalet, See Adalet certificates for XIHLX series for agency approvals.

DWG. NO. SD-D-0280C	
REVISIONS	
A	INITIAL RELEASE RL 12/01/07
B	ADDED EXT DOME PART NUMBERS RL 02/09/09
C	ADDED NOTE REGARDING OTHER FREQUENCIES RL 08/03/16

FRONT VIEW

RIGHT SIDE VIEW

INTERNAL DIMENSIONS



DWG SD-D-0280C

NOTES:

1. ALL DIMENSIONS ARE IN INCHES[MILLIMETERS].

2. PART NUMBERS STANDARD DOME:
 WEN-900-NW 900MHz ANTENNA NO WINDOW
 WEN-2400-NW 2.4GHz ANTENNA NO WINDOW
 WEN-5000-NW 5.0GHz ANTENNA NO WINDOW

PART NUMBERS EXTENDED DOME:
 WEN-900-NW-EXT 900MHz ANTENNA NO WINDOW
 WEN-2400-NW-EXT 2.4GHz ANTENNA NO WINDOW
 WEN-5000-NW-EXT 5.0GHz ANTENNA NO WINDOW

3. SUITABLE FOR USE IN CLASS 1, DIVISION 1 GROUPS C, D & CLASS 1, ZONE 1 -40°C TO +85°C INCLUSIVE

4. AVAILABLE WITH EXTENDED COVER: WITH WINDOW: 5.75[146]

5. ENCLOSURE SAND, COPPER FREE ALUMINUM 1/2[12.7] WALL WITHOUT WINDOW: 6[152.4]

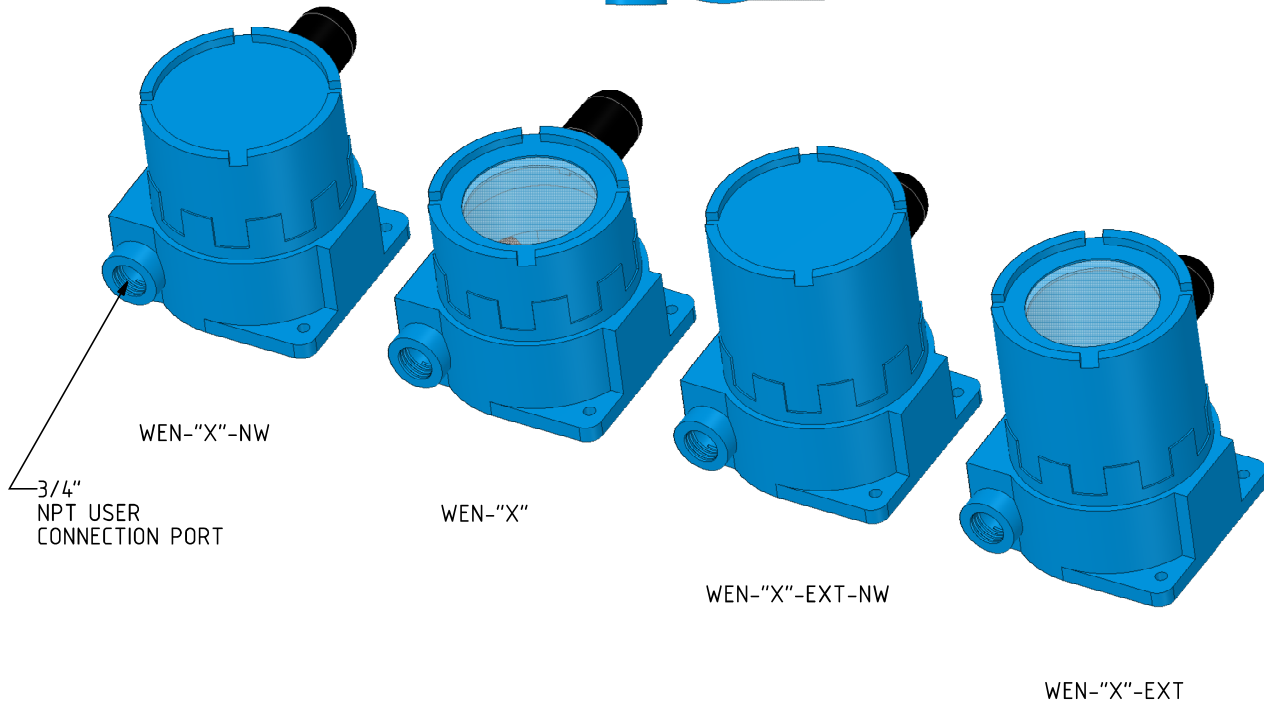
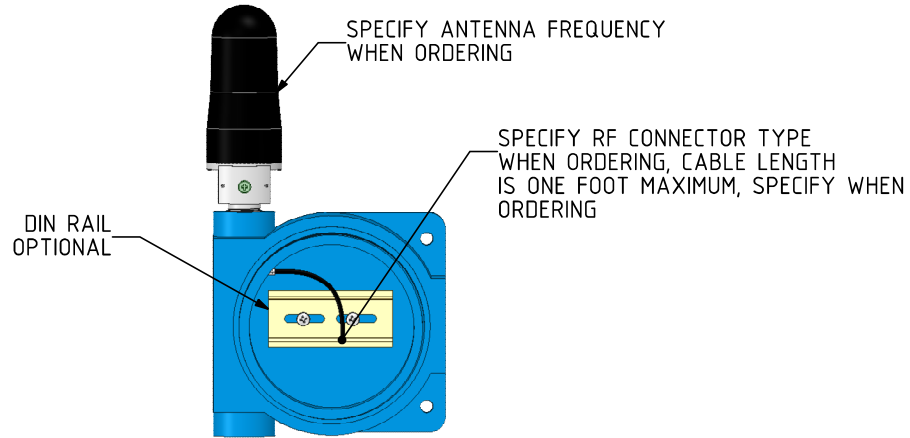
WEN-900 900MHz ANTENNA WITH WINDOW
 WEN-2400 2.4GHz ANTENNA WITH WINDOW
 WEN-5000 5.0GHz ANTENNA WITH WINDOW

WEN-900-EXT 900MHz ANTENNA WITH WINDOW
 WEN-2400-EXT 2.4GHz ANTENNA WITH WINDOW
 WEN-5000-EXT 5.0GHz ANTENNA WITH WINDOW

Note other frequencies are available contact factory: info@analynk.com


QUOTE OR ORDER NUMBER	Analynk Wireless, LLC 790 CROSS POINTE ROAD COLUMBUS, OHIO 43230
TITLE	FOR WEN SERIES WIRELESS ENC
DATE	12/01/07
CHECKED	DATE
APPROVED	DATE
NEXT ASS'Y	DWG NO. SD-D-0280C

FILE NAME
SD-D-0280C.Dwg



ORDERING INFORMATION

1. REPLACE "X" IN MODEL NUMBER WITH ANTENNA FREQUENCY, FOR INSTANCE A WEN-2400-NW, WOULD BE A STANDARD NON-WINDOWED DOME WITH A 2.4GHz ANTENNA.
2. INCLUDE CONNECTOR TYPE, E.G. RPSMA-M, TNC ETC.
3. NOTE ON ORDER IF DIN RAIL IS REQUIRED.
4. NOTE ON ORDER IF ATEX ZONE 1 IS REQUIRED (SEE ADALET XIHLX FOR ENCLOSURE CERTIFICATIONS).

 AnaLynk Wireless, LLC		www.analynk.com
WEN SERIES ENCLOSURE CONFIGURATION		
SIZE B	CAGE CODE	DWG NO. SD-D-0280C
SCALE 1:3		REV C
		SHEET 2 of 2