



CTX/CTM SERIES HAZARDOUS AREA 4G LTE EXPLOSION PROOF ANTENNAS



- 698-960 MHz, 1710-2170 MHz, 2300-2690 MHz
- UL listed & ATEX, IECEx certified
- Internal seal fitting
- TNC-F connector
- Mounting: 3/4" NPT or M20
- Rugged Nickel Plated Brass mounting base
- Industrial temperature range $-40^{\circ}\text{C} \leq T_a \leq +85^{\circ}\text{C}$



*Class I, Div 1,
Zone 1
Groups, C & D*



*ATEX
ZONE 1*

*IECEx
Zone1*

The CTX/CTM 4G LTE antennas are designed for use in “Hazardous-Classified” and Industrial-Hardened applications. The antennas are omni-directional with an average gain of 1.27 dBi with a peak gain of 2.46 dBi. Two versions of the antenna are available, the CTX series, has a 3/4” NPT mount and the CTM series has an M20 mount. The antennas can be mounted on Explosion Proof enclosure or on conduit. The mounting base is made of heavy nickel-plated brass with an integrated TNC-F connector for ease of installation. The radome is optimized for rugged industrial applications while maintaining maximum radio frequency transmission and reception efficiency. The antennas have a built in Explosion Proof seal and may be mounted up to 18” away from the enclosure without an additional seal.

- Hazardous tank level monitoring
- Offshore platforms
- Chemical processing
- Power plants
- Utility systems where explosive gases may be present
- Patented design

Typical installation



CTX-SERIES



6 3/4"
172mm



RUGGED INDUSTRIAL RADOME



INTEGRAL FLAMEPROOF SEAL



3/4" NPT OR M20 THREAD



TNC-F CONNECTOR

Specifications

Impedance: 50 Ω

Gain: Peak 2.46dBi @ 2,690MHz , Average 1.27dBi

Maximum power: 2 Watts


Connector type: TNC female

Impact rating: 7 joules

Weight: 1.23 lbs., 0.56 kg

Maximum length including TNC connector: 7.75", 197mm, Max. diameter 2.02", 51.3mm

Certifications

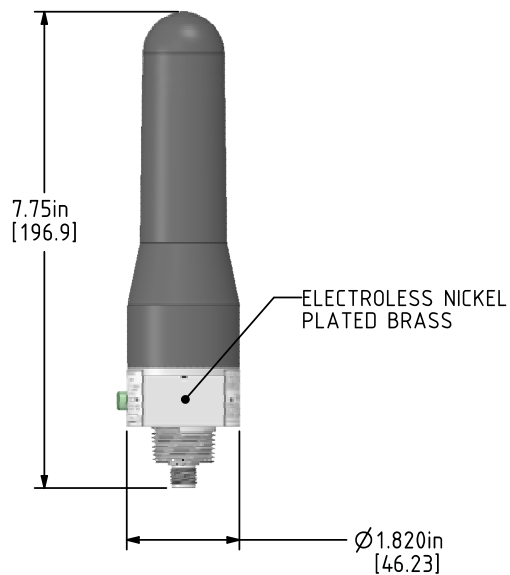
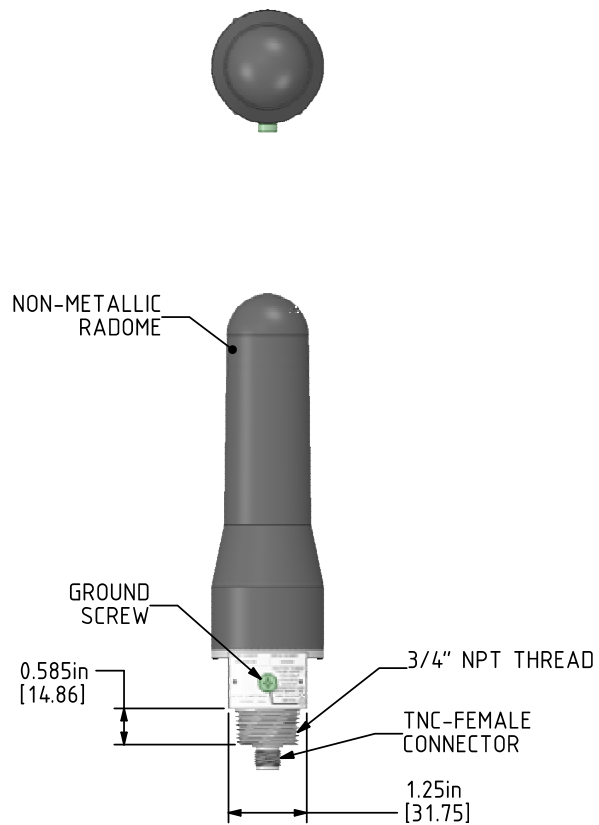
UL listed for the following locations: Class I Div 1, Groups C, D $-40^{\circ}\text{C} \leq T_a \leq +85^{\circ}\text{C}$, Class I Zone 1 AEx d IIB T5, Ex d IIB T5 $-40^{\circ}\text{C} \leq T_a \leq +85^{\circ}\text{C}$. CE 0539  II2G Ex d IIB T5, DEMKO 08 ATEX 0727941X, IECEx (see documents 35105 and 35106 for safe installation)

Ordering Information *(other frequencies available, contact factory for details)*

<u>Part Number</u>	<u>Frequency</u>
CTX-802-TF	Tri-band 698-960MHz, 1710-2170 & 2300-2690 MHz, 3/4" NPT Mounting Base
CTM-802-TF	Tri-band 698-960MHz, 1710-2170 & 2300-2690 MHz, M20 NPT Mounting Base



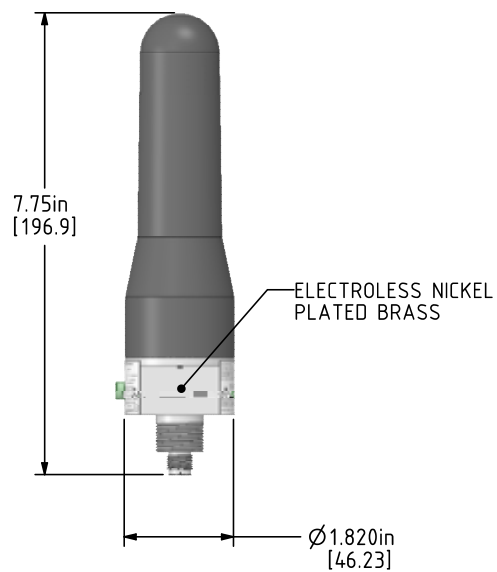
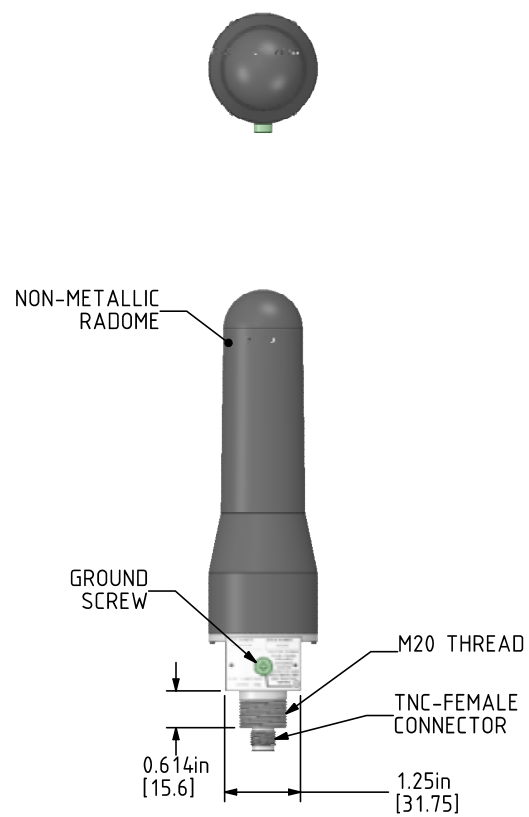
RELEASED: 04/01/21




- NOTES:
1. ALL DIMENSIONS ARE IN INCHES[mm].
 2. SEE DRAWING SD-B-0410A FOR METRIC M20 CTM VERSION.

 AnaLynk WIRELESS, LLC			
790 CROSS POINTE ROAD, COLUMBUS, OHIO 43230, U.S.A.			
DESCRIPTION 4G LTE CTX HAZ LOC ANTENNA			
SIZE	CAGE CODE	DWG NO.	REV
B		SD-B-0396A	A
SCALE	1:2	www.analynk.com	SHEET

RELEASED: 04/01/21



NOTES:
1. ALL DIMENSIONS ARE IN INCHES[mm].
2. SEE DRAWING SD-B-0396A FOR 3/4" NPT VERSION.

 WIRELESS, LLC			
790 CROSS POINTE ROAD, COLUMBUS, OHIO 43230, U.S.A.			
DESCRIPTION 4G LTE CTM HAZ LOC ANTENNA			
SIZE B	CAGE CODE	DWG NO. SD-B-0410A	REV A
SCALE 1:2	www.analynk.com	SHEET	