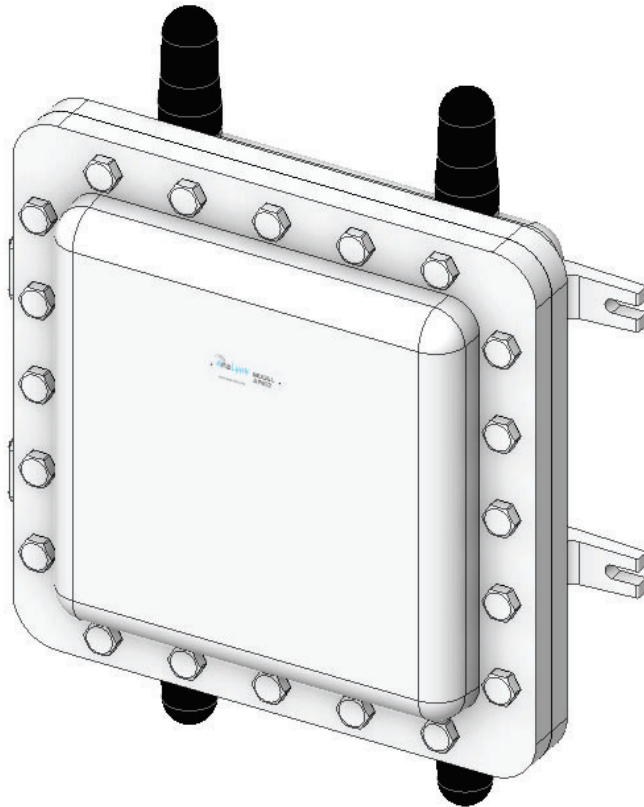

AP632 DUAL-BAND HAZARDOUS AREA ACCESS POINT ENCLOSURE FOR AEROHIVE AP1130



The AP632 is designed to house the Aerohive AP1130 dual band access point for use in hazardous areas. The enclosure, all hardware, and antennas are rated for Class I, Div 1, groups C & D Hazardous Locations. All hardware, mounting plate, antennas and RF cables are provided to make installation of the access point quick and easy. The enclosure includes four of our proprietary explosion proof CTX series antennas.

Ratings:

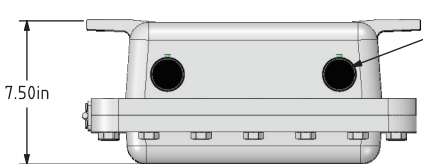
Class I, Div 1 Groups, C & D

Applications:

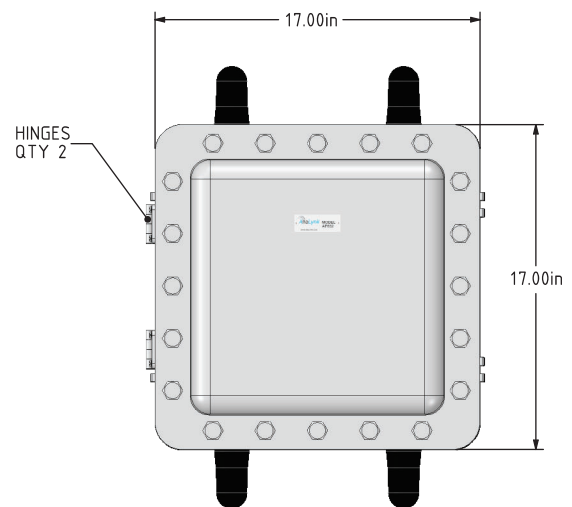
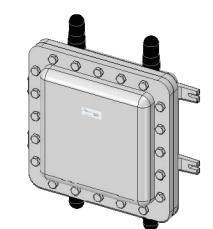
- Pharmaceuticals
- Oil refineries
- Oil & Gas Platforms
- Chemical Plants

Ordering information:

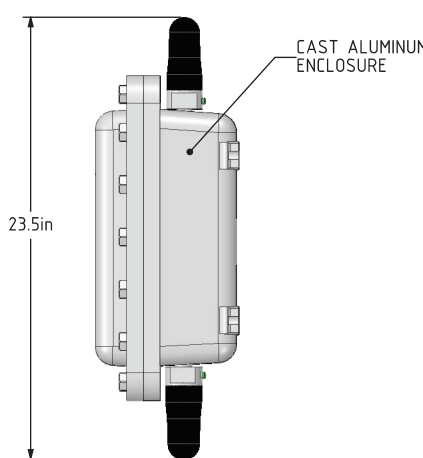
AP632
AP632-N4 (NEMA 4 option)
AP632-ATEX (ATEX Zone 1 option)



CLASS I, DIVISION 1, GROUPS C & D
DUAL BAND 2.4GHz/5GHz ANTENNAS, QTY 4

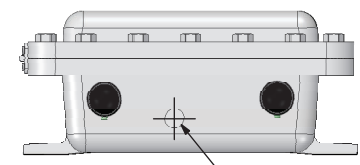
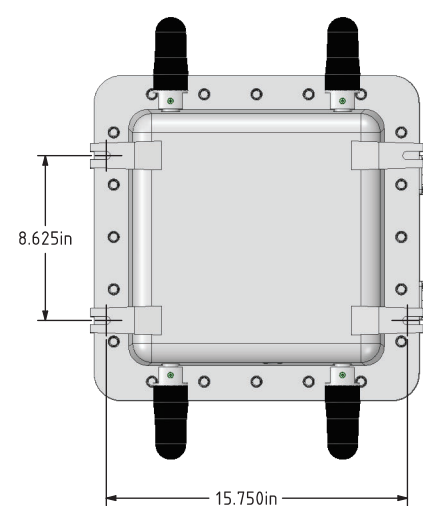


HINGES
QTY 2



CAST ALUMINUM
ENCLOSURE

MOUNTING DIMENSIONS



ETHERNET PORT
3/4" NPT

NOTES:

1. ENCLOSURE FOR AEROHIVE AP1130.
2. EXPLOSION PROOF ENCLOSURE AND ANTENNAS RATED FOR CLASS I DIVISION 1, GROUPS C & D.
3. NEMA 4X RATING AND ATEX ZONE 1 RATING OPTIONAL.
4. APPROXIMATE WEIGHT: 80 LBS.

790 CROSS POINTE ROAD, COLUMBUS, OHIO 43230, U.S.A.			
DESCRIPTION			
HAZARDOUS LOCATION ENCLOSURE FOR AEROHIVE AP1130			
SIZE C	CAGE CODE AP632	DWG NO. SD-B-0427A	REV A
SCALE 1:5	www.analynk.com		SHEET