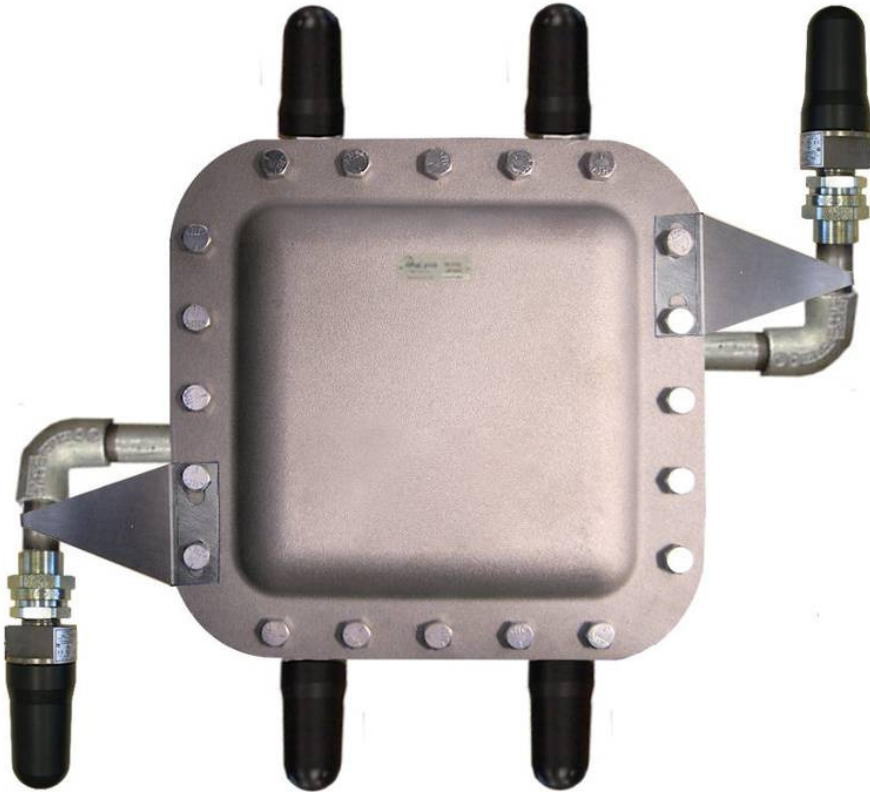


AP616 DUAL-BAND HAZARDOUS AREA ACCESS POINT ENCLOSURE FOR ARUBA AP228



The AP616 is designed to house the Aruba AP228 dual band access point for use in hazardous areas. The enclosure, all hardware, and antennas are rated for Class 1, Div 1, groups C & D Hazardous Locations. All hardware, mounting plate, antennas and RF cables are provided to make installation of the access point quick and easy. The enclosure utilizes our proprietary explosion proof CTX series of antennas and includes six dual band 2.4GHz/6GHz antennas.

Ratings:

Class 1, Div 1 Groups, C & D

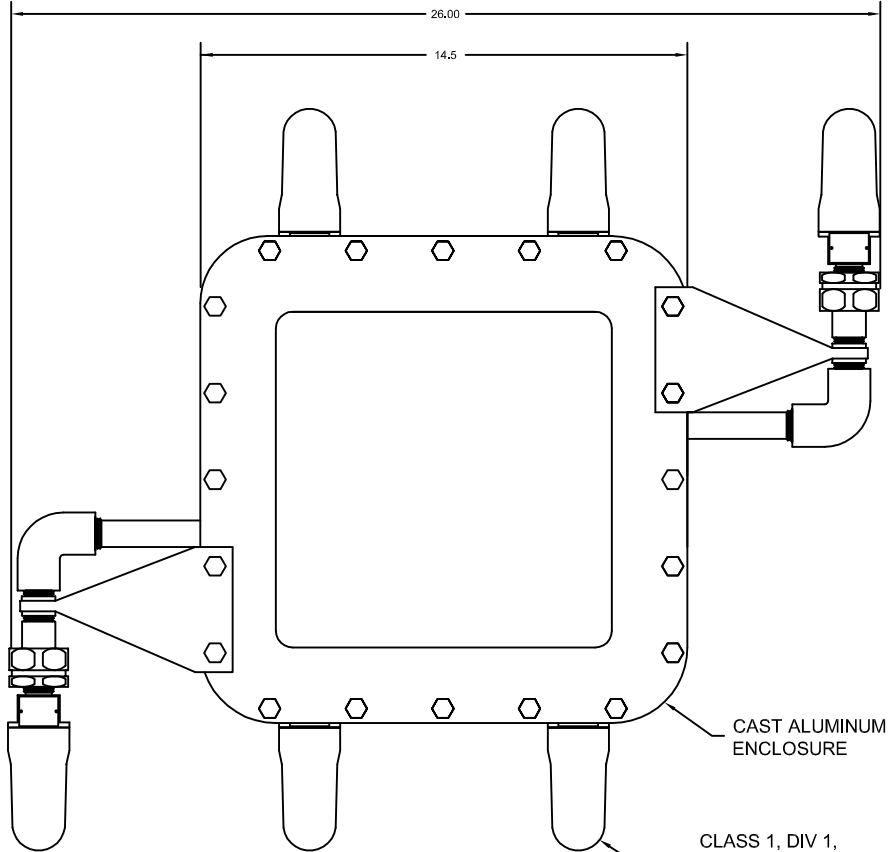
Applications:

- Pharmaceuticals
- Oil refineries
- Oil & Gas Platforms
- Chemical Plants

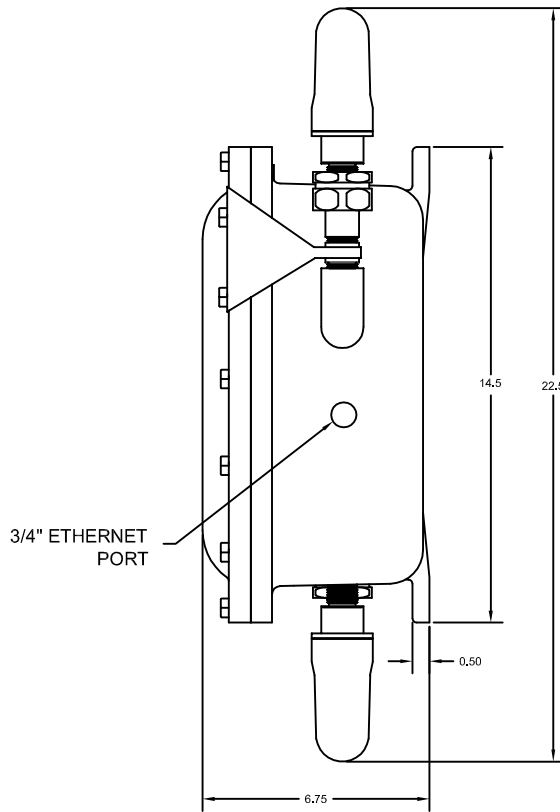
Ordering information:

AP616
AP616-N4 (NEMA 4 option)

FRONT VIEW

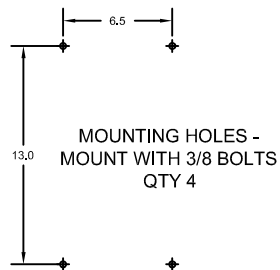


SIDE VIEW



NOTES:

1. ACCESS POINT ENCLOSURE FOR: ARUBA AP-228 RATING: CLS 1, DIV 1.
2. ANTENNAS: CLS 1, DIV 1 EXPLOSION PROOF GROUPS C & D, 2.4GHz/5GHz DUAL BAND, QUANTITY SIX.
3. INTERNAL MOUNTING PLATE FOR AP-228 INCLUDED.
4. MOUNTING: 6.5 X 13, 3/8" BOLTS.
5. ANTENNA TO ACCESS POINT RF CABLES QUANTITY SIX INCLUDED.
ALL DIMENSIONS ARE IN INCHES.
6. WEIGHT: 70LBS.



QUOTE OR ORDER NUMBER			Analylnk Wireless, LLC		
790 CROSS POINTE ROAD COLUMBUS, OH 43230			TITLE		
AP616 ENCLOSURE			FOR		
ARUBA AP-228			NEXT ASS'Y		
DWG NO. SD-D-0366A			DATE		

FILE NAME:
SD-D-0366A.DWG