

AP608 Explosion Proof Access Point Enclosure For Meru AP-1020e



The AP608 is a hazardous area enclosure designed to house the Meru AP-1020e dual band access point. The enclosure and antennas are rated for Class 1, Div 1, groups C & D Hazardous Locations. All hardware, mounting plate, and RF cables are provided to make installation of the access point quick and easy. The enclosure includes four of our patented hazardous area CTX series 2.4/5GHz dual band antennas.

Ratings:

Class 1, Div 1 Groups, C & D
ATEX Zone 1 optional

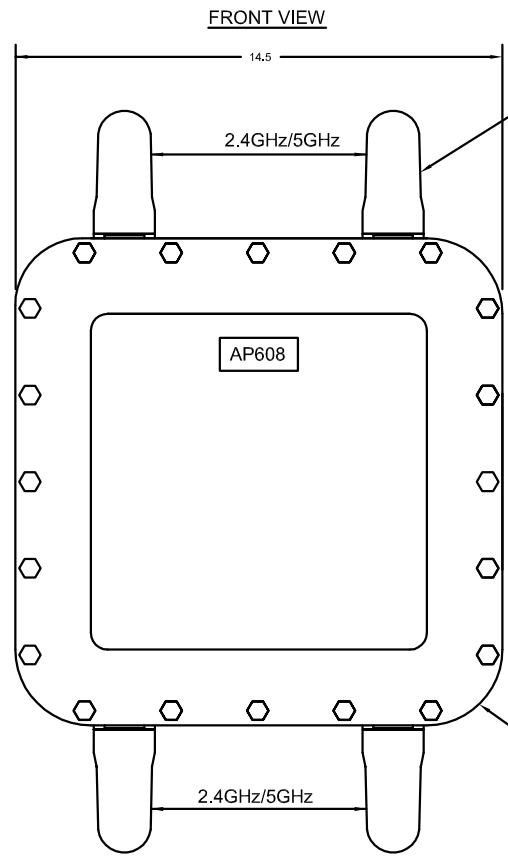
Applications:

- Pharmaceuticals
- Oil refineries
- Oil & Gas Platforms
- Chemical Plants

Ordering information:

AP608
AP608-1 (all antennas same orientation)

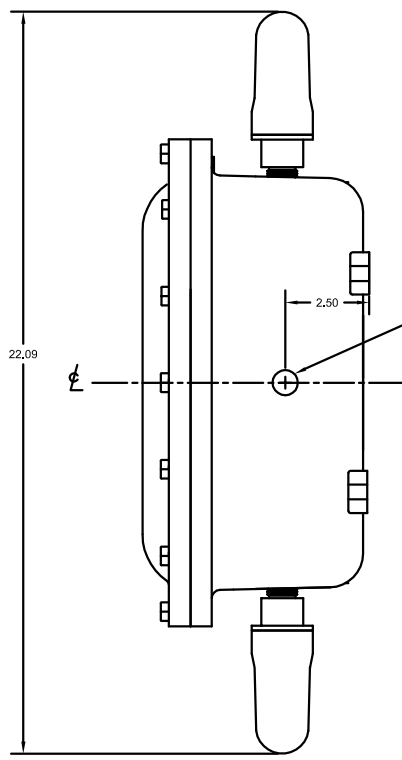
DWG. NO.
SD-D-0343A
REVISIONS



CLASS 1, DIV 1, GROUPS
C&D, DUAL BAND 2.4GHz/5GHz
ANTENNAS
QTY 4.

CAST ALUMINUM
ENCLOSURE

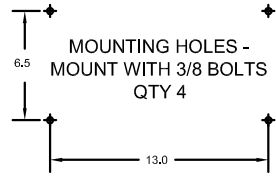
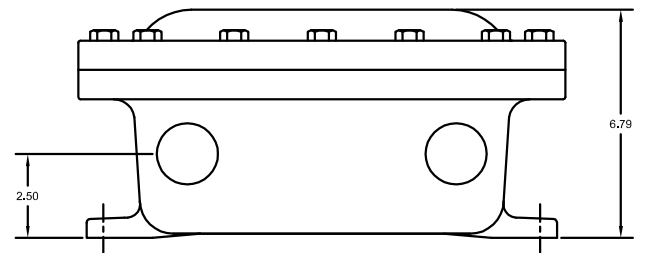
SIDE VIEW



3/4" NPT ETHERNET
PORT

DWG.
SD-D-0343A

BOTTOM VIEW



NOTES:

1. ACCESS POINT ENCLOSURE FOR: MERU 1020e.
RATING: CLS 1, DIV 1, GROUPS C & D.
2. ANTENNAS, EXPLOSION PROOF: CLS 1, DIV 1, GROUPS C & D
CTX-2402-TR QTY 4 (DUAL BAND 2.4GHZ/5GHZ).
3. ENCLOSURE INCLUDES INTERNAL RF CABLES AND MOUNTING PLATE.
4. ALL DIMENSIONS ARE IN INCHES.

QUOTE OR ORDER NUMBER		Analynk Wireless, LLC 790 CROSS POINTE ROAD COLUMBUS, OHIO 43230	
DESIGNED BY		DATE	
CHECKED BY		DATE	
DRAWN BY		DATE	
APPROVED BY		DATE	
FILE NAME SD-D-0343A.DWG		NEXT ASSY	DWG NO. SD-D-0343A

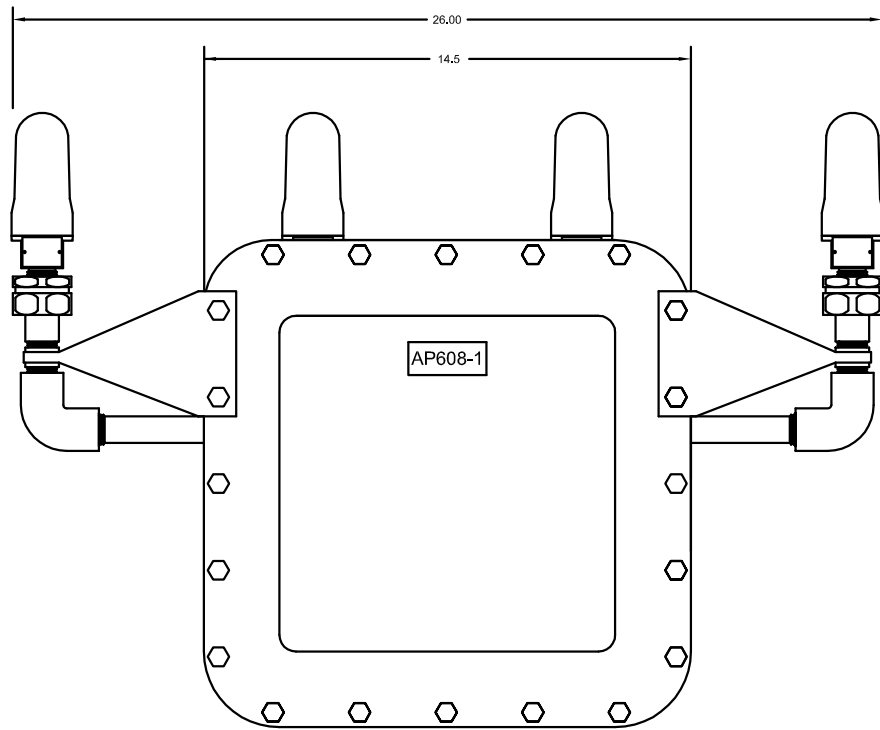
TITLE
FOR
AP608 ENCLOSURE
MERU 1020e

DWG. NO. SD-D-00344A

REVISIONS	

FRONT VIEW

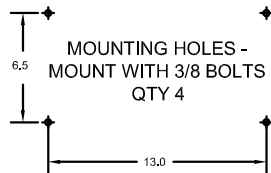
FRONT VIEW



CLASS 1, DIV 1,
GROUPS C & D
ANTENNA

AP608-1

CAST ALUMINUM
ENCLOSURE

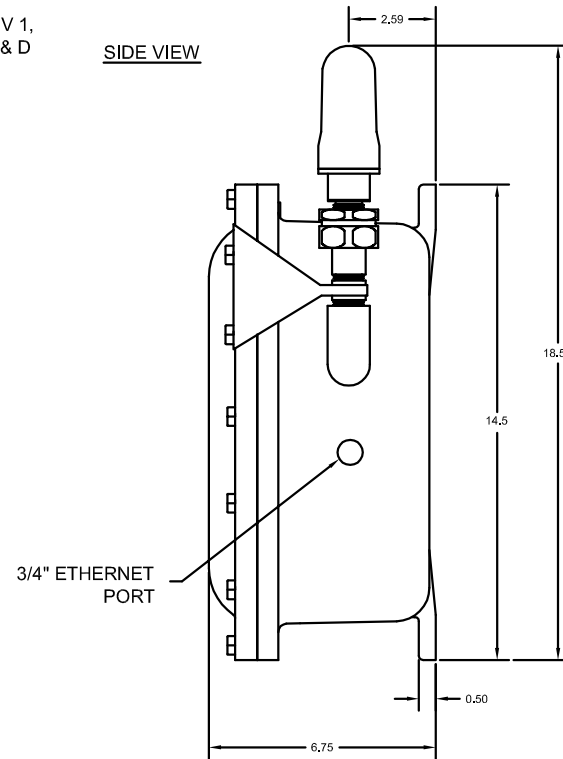


NOTES:

1. ACCESS POINT ENCLOSURE FOR: MERU AP-1020e.
RATING: CLS 1, DIV 1, GROUPS C & D.
2. ANTENNAS, EXPLOSION PROOF: CLS 1, DIV 1, GROUPS C & D
CTX-2400-TR QTY 4.
3. ENCLOSURE INCLUDES INTERNAL RF CABLES AND MOUNTING PLATE.
4. ALL DIMENSIONS ARE IN INCHES.

SIDE VIEW

SIDE VIEW



3/4" ETHERNET
PORT

DWG. SD-D-00344A

QUOTE OR ORDER NUMBER			Analylnk Wireless, LLC 790 CROSS POINTE ROAD COLUMBUS, OHIO 43230		
DRAWN BY			DATE		
CHECKED BY			DATE		
APPROVED BY			DATE		
SCALE	PROJECTION	CORNER	TITLE AP608-1 ENCLOSURE FOR MERU AP-1020e		
AS SHOWN	AL-150	AL-200			
AS TO BE	AL-150	AL-200			
AS TO BE	AL-150	AL-200			
FILE NAME	DATE	DATE	NEXT ASSY	DWG NO.	
SD-D-00344A.DWG	10/18/13			SD-D-00344A	