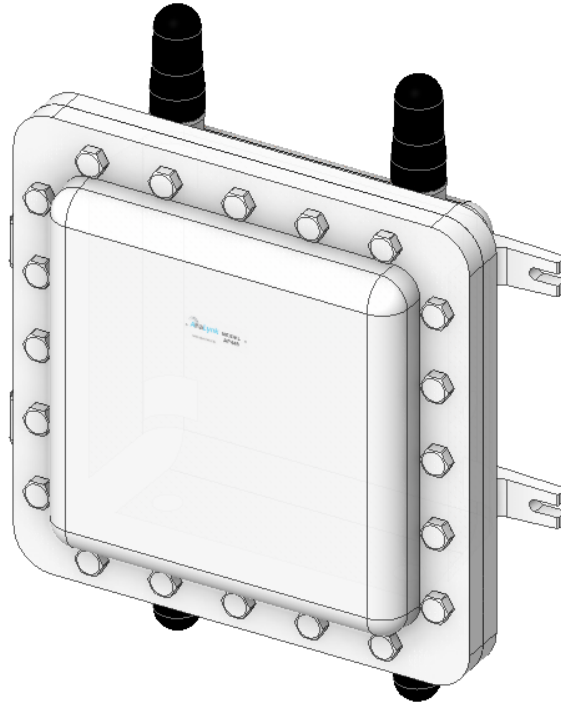


AP446 DUAL-BAND HAZARDOUS AREA ACCESS POINT ENCLOSURE FOR MERAKI CW9163E



The AP446 enclosure assembly is designed to house the Meraki CW9163E access point for use in hazardous areas. The enclosure, along with all hardware and antennas, is rated for Class I, Division 1, Groups C & D hazardous locations. Optionally the enclosure can have a NEMA 4X or ATEX Zone 1, IIB rating. All necessary hardware, including the mounting plate, antennas, and RF cables, are provided to ensure quick and easy installation of the access point. The enclosure includes four of our proprietary explosion-proof 2.4GHz/5GHz CTX series antennas. Contact the factory if Wi-Fi 6E (6GHz) is required. No internal antennas can be used with this enclosure.

Applications:

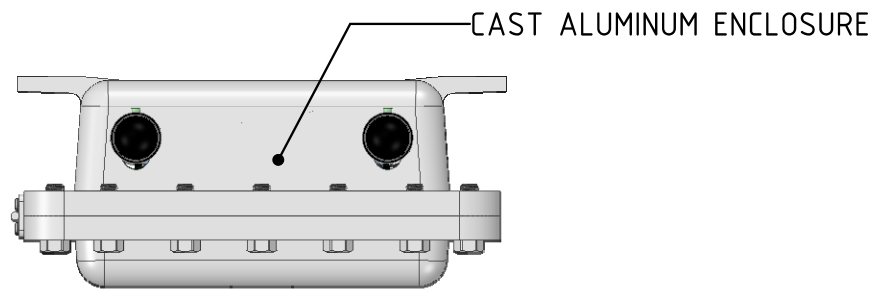
- Pharmaceuticals
- Oil refineries
- Oil & Gas Platforms
- Chemical Plants

Ordering information:

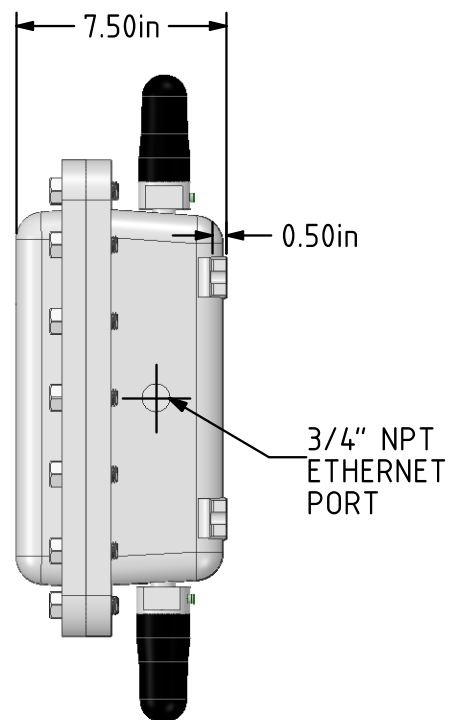
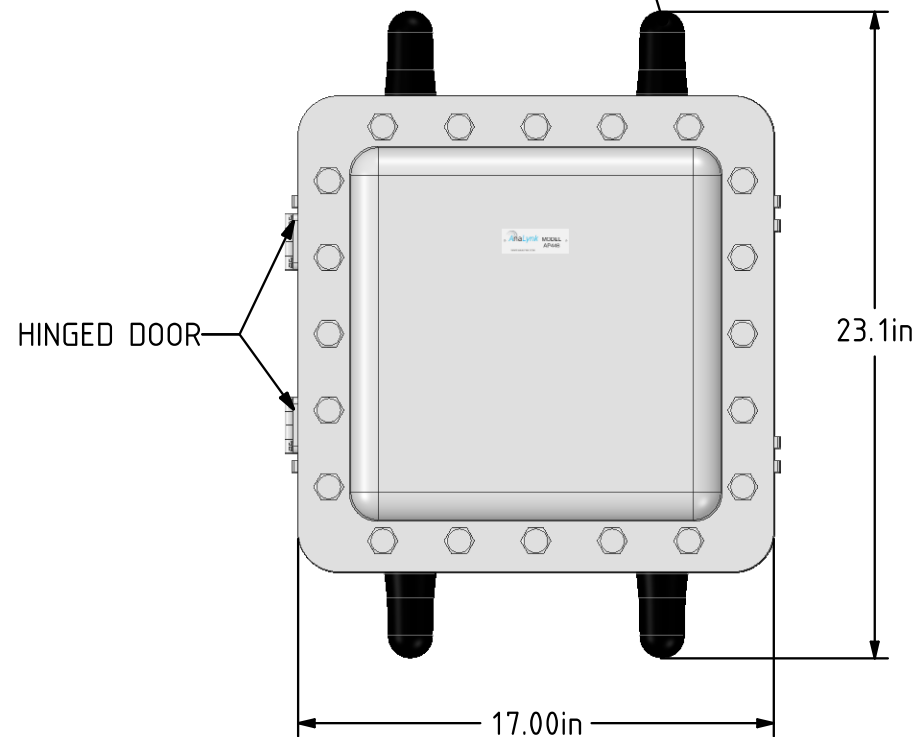
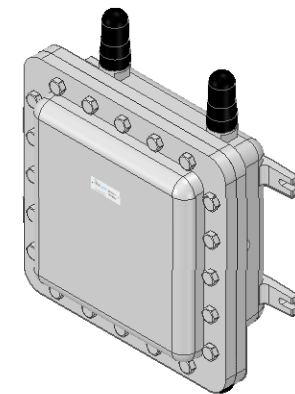
AP446 Class I, Div 1,
Groups, C & D

AP446-N4 (NEMA 4 option),
Groups C & D

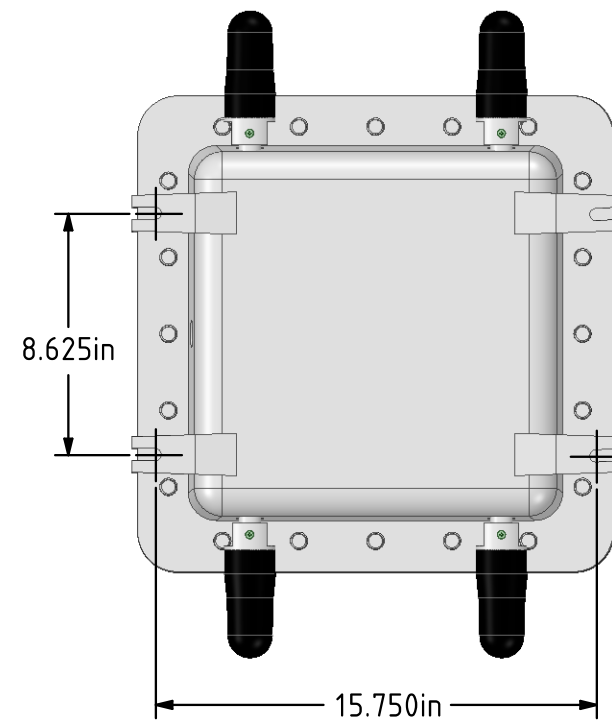
AP446-ATEX-AS (ATEX option),
ATEX Zone 1, IIB



DUAL BAND 2.4GHz/5GHz
(CONTACT THE FACTORY FOR TRI-
BAND ANTENNAS INCLUDES 6GHz)
ANTENNAS, QTY 4



MOUNTING DIMENSIONS



MOUNT WITH 1/2" LUG BOLTS

NOTES:

1. AP446 ACCESS POINT ENCLOSURE FOR MERAKI CW9163E, RATINGS: CLASS I, DIVISION 1, GROUPS C & D.
2. ANTENNAS: CLASS I, DIVISION 1, GROUPS C & D, EXPLOSION PROOF, 2.4GHz/5GHz, DUAL BAND QUANTITY FOUR. CONTACT THE FACTORY FOR WI-FI 6E TRI-BAND ANTENNAS.
3. APPROXIMATE WEIGHT: 75 LBS, MOUNT WITH FOUR 1/2" LUG BOLTS.
4. OPTIONS: NEMA 4 RATING P/N AP446-N4; ATEX ZONE 1, IIB RATING: AP446-ATEX-AS.

790 CROSS POINTE ROAD, COLUMBUS, OHIO 43230, U.S.A.			
DESCRIPTION AP446 ACCESS POINT ENCLOSURE ASSEMBLY MERAKI CW9163E			
SIZE B	CAGE CODE	DWG NO. SD-C-0414	REV A
SCALE N/A	www.analynk.com	SHEET	