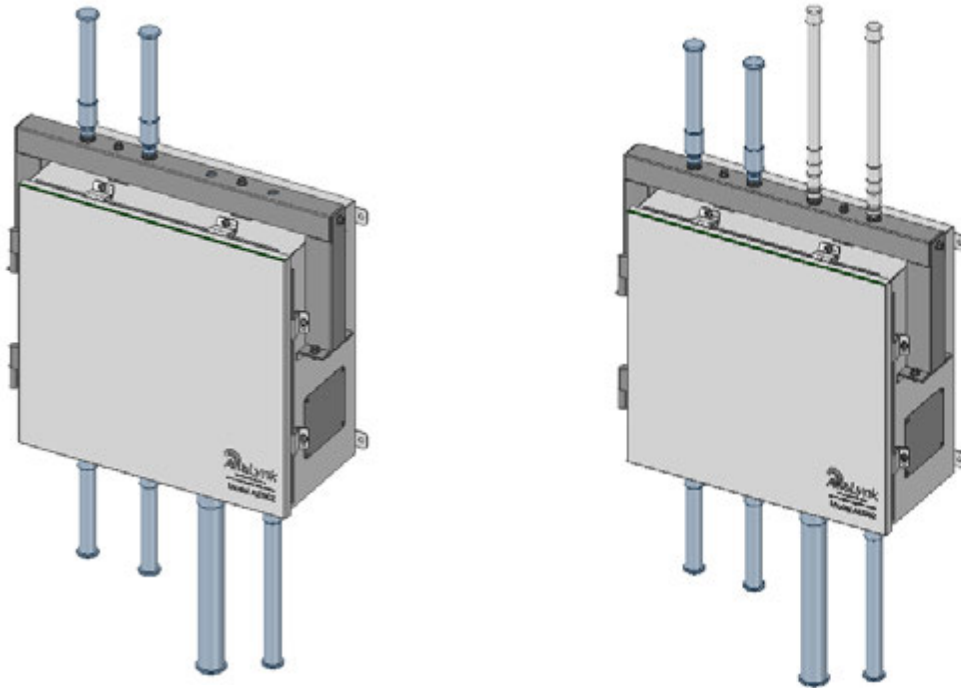

AE902 SERIES
HAZARDOUS AREA CLASS I, DIVISION 2/ATEX
ZONE 2, ACCESS POINT WITH OPTIONAL ISA100/
HART ROUTER



The AE902 series includes the Aruba AP-318 dual band access point with an optional Honeywell FDAP2 for ISA100A/HART communication. The AE902 is certified for use in Class I, Division 2 or ATEX Zone 2 hazardous areas. A POE injector and universal input power supply are also included. The enclosure is made of 316 stainless steel and has a NEMA 4X or IP66 rating for harsh conditions. Optional directional antennas are available and antennas can be mounted remotely from the enclosure.

Ratings:

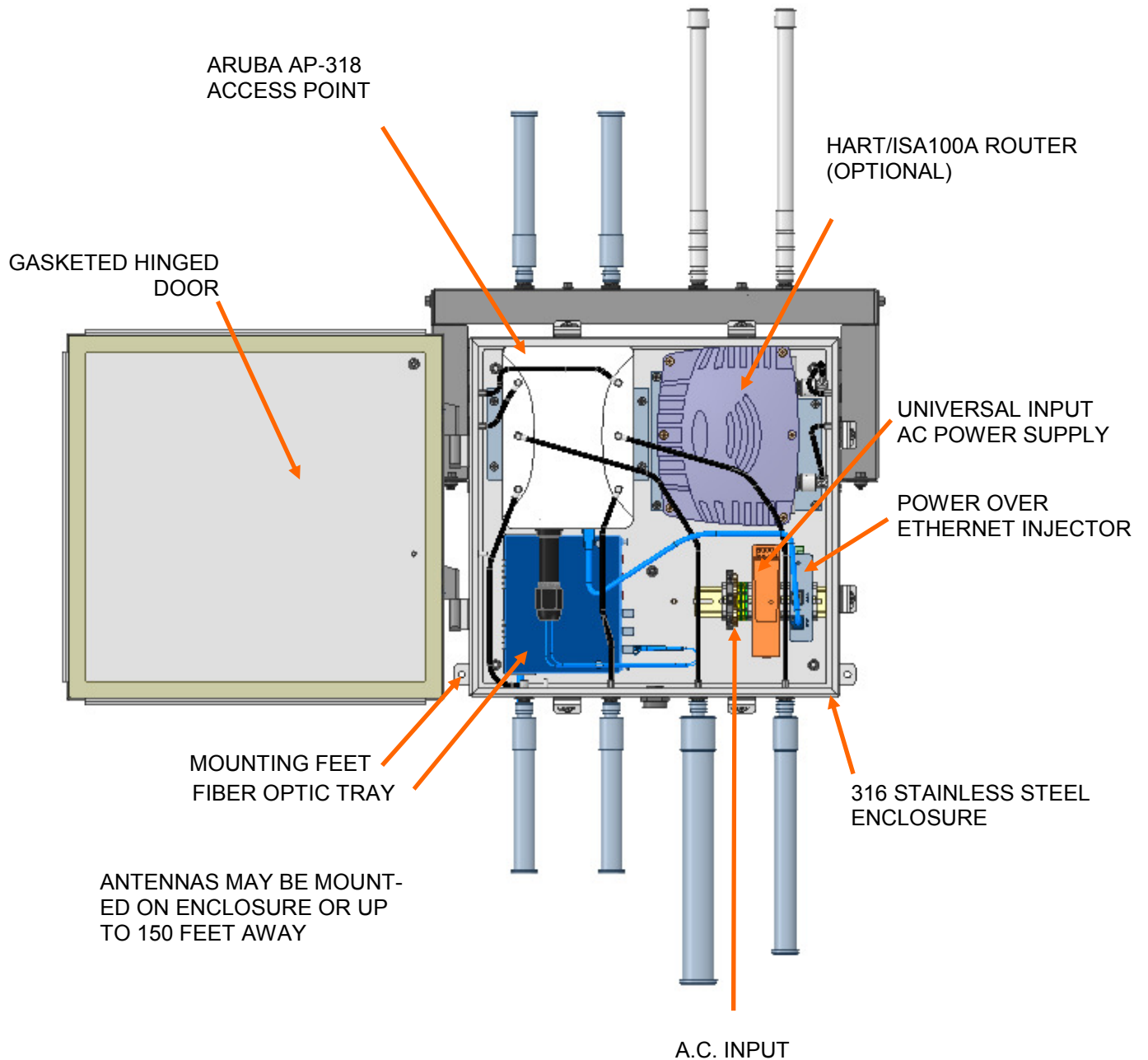
Class I, Division 2 Groups, A, B, C, & D
ATEX Zone 2

Applications:

- Pharmaceuticals
- Oil refineries
- Oil & Gas Platforms
- Chemical Plants

See page 5 for ordering information.

FEATURES



OPTIONAL ANTENNAS

Aruba Part Number	Description
JW023A	ANT-2x2-2005 Pair 2.4GHz 5dBi Omni N-type Direct Mount Outdoor Antennas
JW026A	ANT-2x2-5005 Pair 5GHz 5dBi Omni N-type Direct Mount Outdoor Antennas
JW035A	ANT-3x3-D608 Dual Band 60x60deg 8dBi +/- 45 and Vert Pol MIMO N-Type Antenna
Q8N51A	ANT-4x4-D608 4x4 2.4/5G 8dBi Panel



JW023A



JW026A

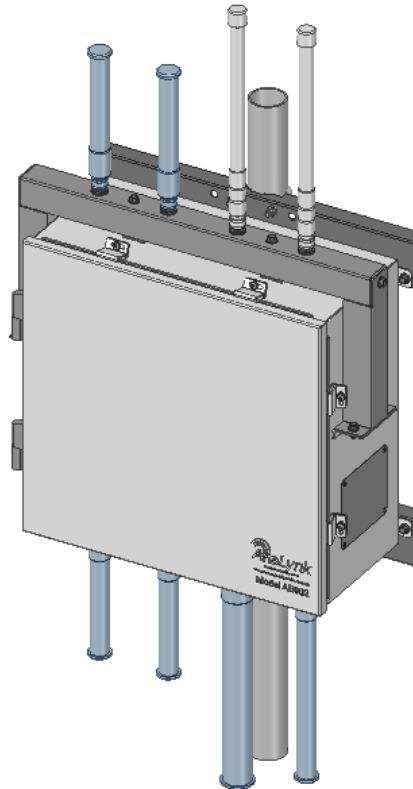


JW035A

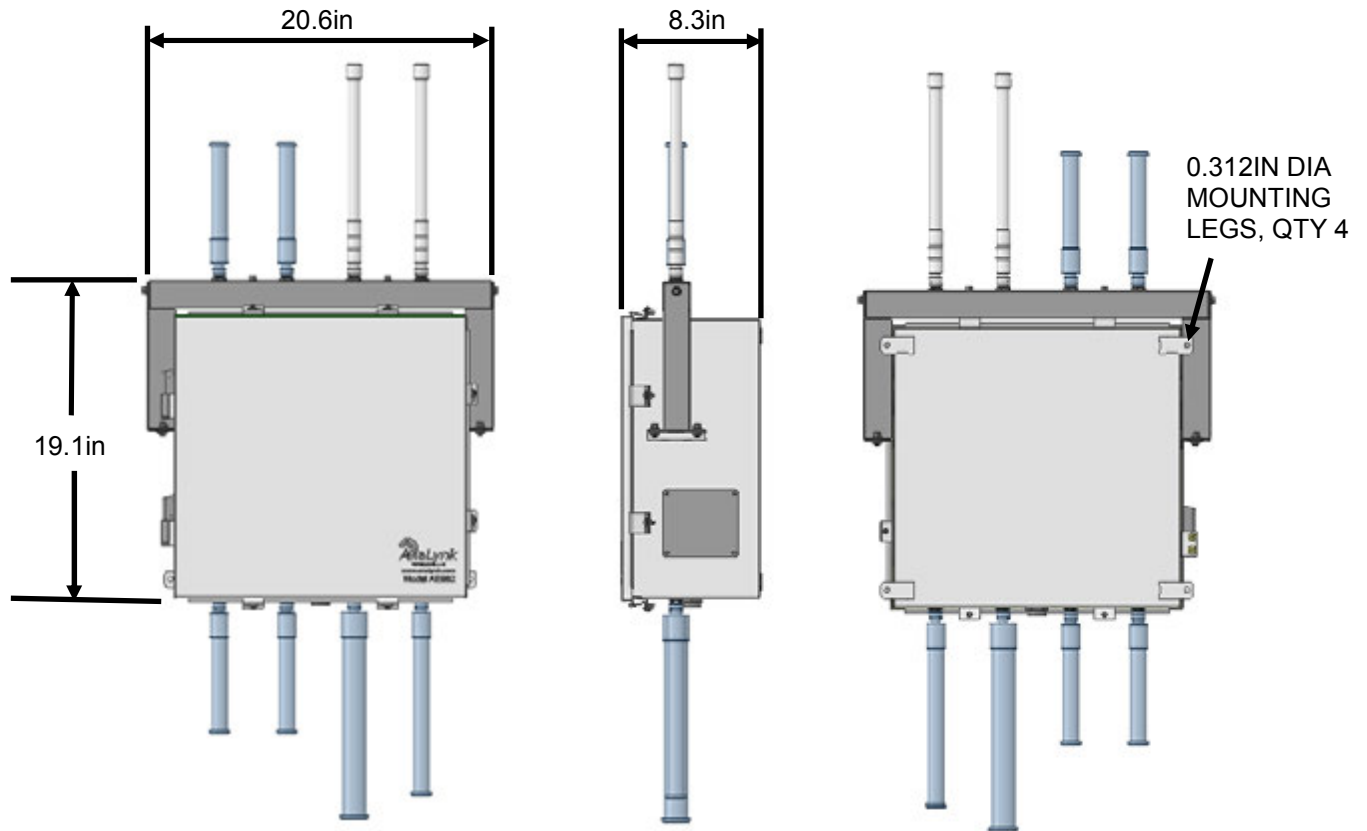


Q8N51A

OPTIONAL 2”/4” O.D. POLE MOUNT KIT PART NUMBER B-10946B.



DIMENSIONS



Ratings	
Supply Input:	AC Input: 100-240 V ac, 50/60Hz, 0.210 A
Power Supply Output	24V dc, 5A
Dimensions/Weight:	20.6 X 8.3 X 19.1 inches (L x W x H), 39 lbs without FDAP2, 45 lbs with FDAP2
Environmental Conditions:	Operating Temperature: -20°C to 50°C Operating Humidity: 95% Altitude: 2,000 m
For Use in Wet Locations:	Outdoor Use, UL Type 4X, IP66 ATEX Version
Test Item Particulars	
Type of Item:	Control
Description of Equipment Function:	Enclosed Device – UL Type 4X
Overvoltage Category:	II
Pollution Degree:	2
Equipment Mobility:	Fixed
Operating Conditions	Continuous

Ordering Information

Model	Feature	Certification
AE902-1A	AP-318 Access Point	Class I, Division 2, Groups A, B, C, D
AE902-2A	AP-318 Access Point & FDAP2 ISA100/HART Router	Class I, Division 2, Groups A, B, C, D
AE902-1A-ATEX	AP-318 Access Point	ATEX Zone 2
AE902-2A-ATEX	AP-318 Access Point & FDAP2 ISA100/HART Router	ATEX Zone 2

Note: All versions of the AE902 include POE, AC to DC supply and standard antennas.

