

RF WIRELESS DIN REPEATER/EXTENDER



A759 DIN RAIL REPEATER/EXTENDER

The Model A759 repeater is used to extend the RF range of the A700 series transmitters and receivers. Additionally, the A759 may be employed to repeat RF signals around objects (tanks, walls etc.) No programming is required, simply place the repeater in the desired location and apply power. With the system in signal strength mode (RSSI) RF signal strength can be monitored at both the repeater and receiver. This is useful for optimal placement of the repeater and to ensure data integrity throughout the system.

Specifications

INPUT:

A75x series transmitters

OUTPUT:

A750x series

RF SENSITIVITY:

900 MHz: -110 dBm

2.4GHz: -100 dBm

RF POWER:

A759: 1 Watt (+30 dBm), 900 MHz

A759-ZG: 10mW (+10dBm) to 63mW (+18dBm)

POWER:

+11 to +30 Vdc

FEATURES

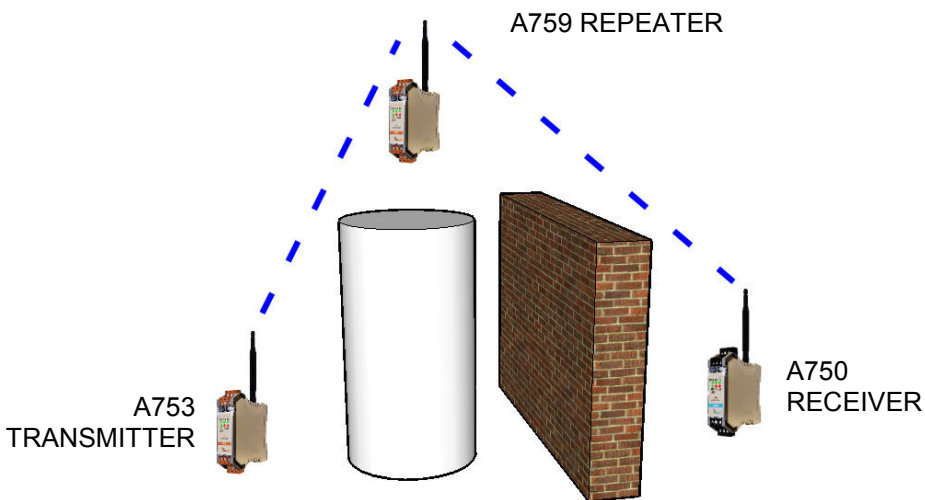
- 35 mm DIN Rail Mount
- 1W long range output
- Removable 2.0dBi dipole antenna
- DIP switch selectable channels
- Transmitter & receiver signal strength indicator
- No software required

APPLICATIONS

- Overcoming RF transmission/reception obstacles
- Extend RF range



EXAMPLE APPLICATION

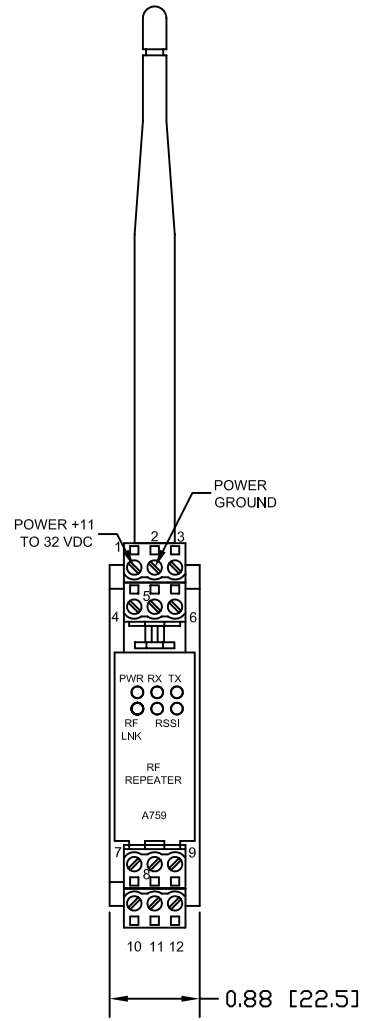


Ordering information:

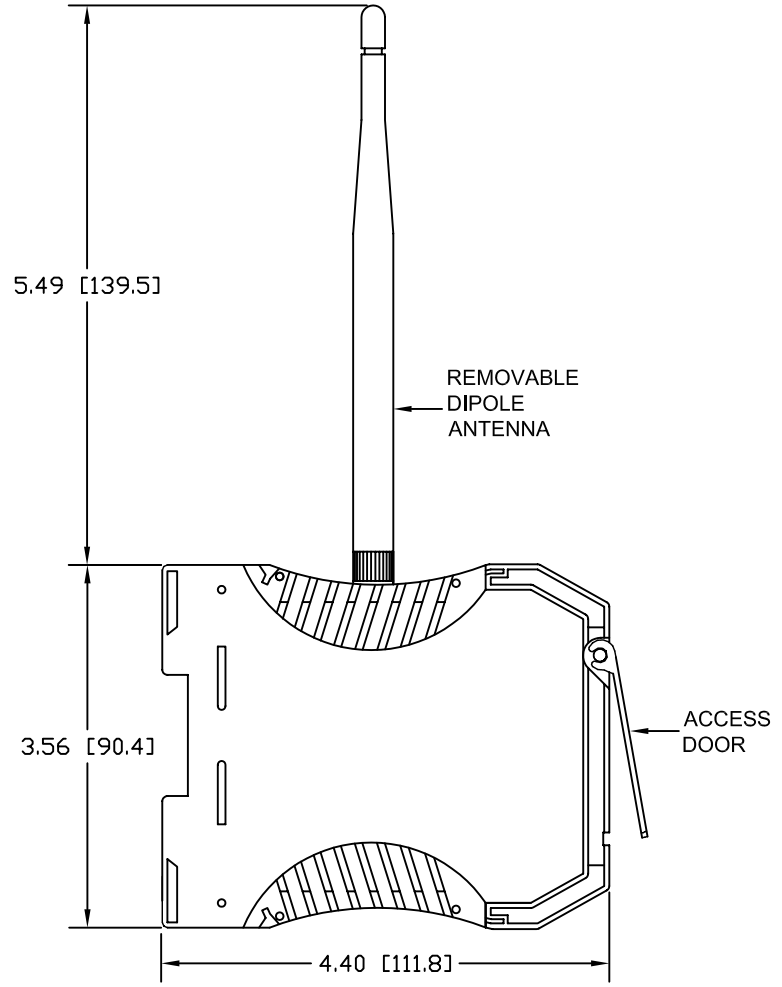
A759 900MHz 1W max
A759-ZG 2.4GHz 10mW-63mW (adjustable)

DWG. NO. SD-A-0283A	
REVISIONS	
A	INITIAL RELEASE 10/08/08 RML

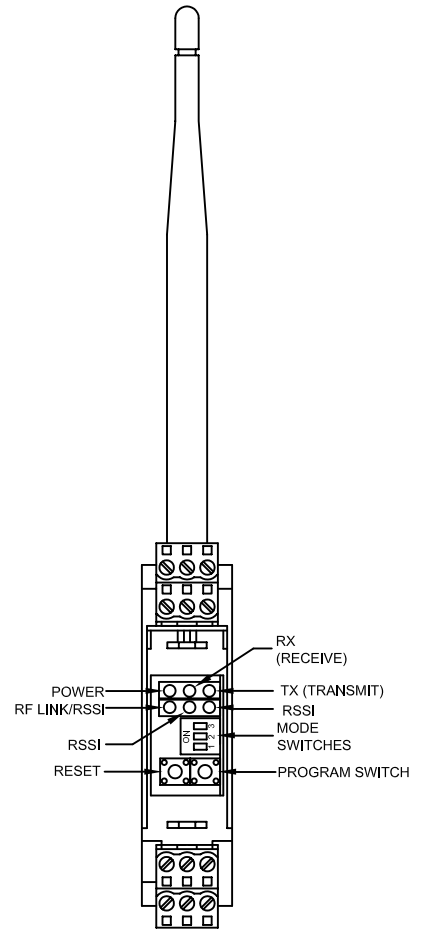
FRONT VIEW



SIDE VIEW



INDICATORS/SWITCHES
ACCESS DOOR OPEN



DWG
SD-A-0283A

NOTE:
1) DIMENSIONS IN INCHES [MILLIMETERS].

QUOTE OR ORDER NUMBER			Analylnk Wireless, LLC 790 CROSS POINTE ROAD COLUMBUS, OHIO 43230	
Dimensions in inches unless otherwise specified				
DIMENSION TOLERANCES UNLESS OTHERWISE SPECIFIED				
BASIC DIMENSIONS	FRACTIONAL	DECIMAL		
UP TO 6	+/- 1/64	+/- .005		
OVER 6 TO 24	+/- 1/32	+/- .005		
OVER 24	+/- 1/16	+/- .010		
SCALE: FULL			DO NOT SCALE DRAWING WORK TO DIMENSIONS	
DRAWN	RML	DATE	05/02/08	
CHECKED		DATE		
APPROVED		DATE		
FILE NAME SD-A-0283A	NEXT ASS'Y	DWG NO. SD-A-0283A		