

The Telmar 500 Series of Signal Alarms have been designed for general- purpose instrumentation applications. All models are housed in 16ga steel cases featuring a universal mounting base and U.L. approved relays. These units come standard with High, Low or Dual Alarms. All Telmar Signal Alarms are subject to 120 hours burn-in prior to final calibration and shipment

## STANDARD MODELS

### 540 Series Thermocouple

**Input:** J, K, T, R, S, E, 5MV to 250MV

540121 High Alarm

540111 Low Alarm

540231 High and Low

### 542 Series D.C. Millivolt

**Input:** 5 to- 499MVDC

542121 High Alarm

542111 Low Alarm

542231 High and Low

### 544 Series R.T.D.

**Input:** Nickel or Platinum

544121 High Alarm

544111 Low Alarm

544231 High and Low

### 546 Series A.C. Current

**Input:** 0 to 5 amps A.C.:

546121 High Alarm

546111 Low Alarm

546231 High and Low

### 548 Series Slide wire

**Input:** 100 to 4000 ohms

548121 High Alarm

548111 Low Alarm

548231 High and Low

### 541 Series D.C. Current

**Input:** 1-5, 4-20, 10-50MADC

541121 High Alarm

541111 Low Alarm

541231 High and Low

### 543 Series D.C. Voltage

**Input:** 0.5 to 200 VDC

543121 High Alarm

543111 Low Alarm

543231 High and Low

### 545 Series A.C. Voltage

**Input:** 5MV AC to 600VAC

545121 High Alarm

545111 Low Alarm

545231 High and Low

### 547 Series Tachometer

**Input:** 50 to 10,000CPS

547121 High Alarm

547111 Low Alarm

547231 High and Low

### 549 Series Strain Gauge

**Input:** 4 wire Resistance Bridge

549121 High Alarm

549111 Low Alarm

549231 High and Low Alarm



## GENERAL SPECIFICATIONS

Set Point Calibration:  
0 to 100% of Span

Relay Dead band:  
2.0% of Span

Relay Contact Rating:  
5.0 Amps at 120VAC

Relay Operation Mode:  
Failsafe

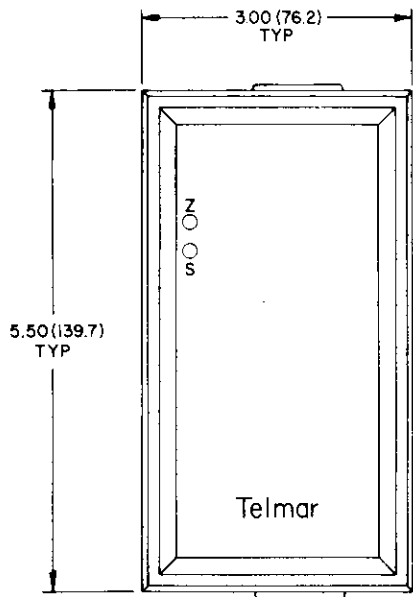
Ambient Temperature Range:  
0° F to 140° F

Operating Power:  
117/220VAC/50/60Hz

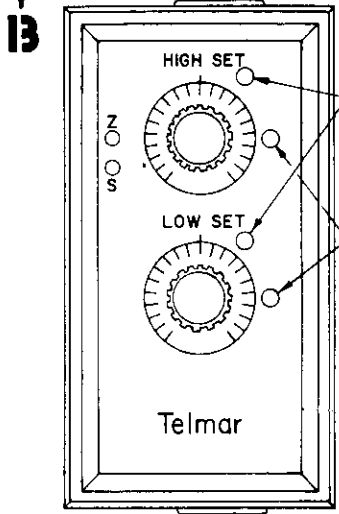
## OPTIONS

Adjustable Dead band  
High/High or low/low Alarms  
L.E.D. Relay Indicator  
10 Turn Potentiometer-Dials

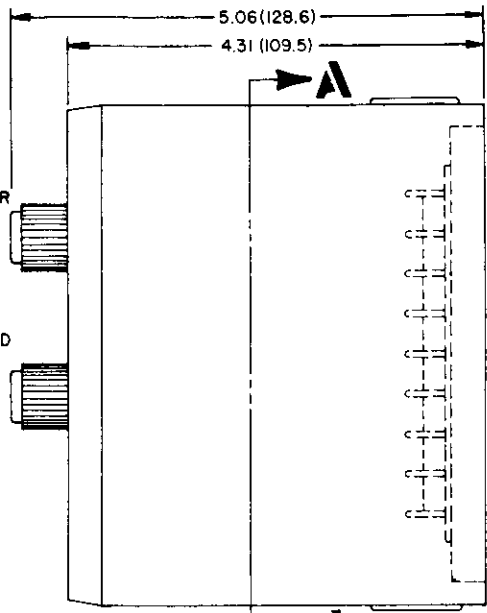
DWG NO	SD-C-0115
REVISIONS	
A	



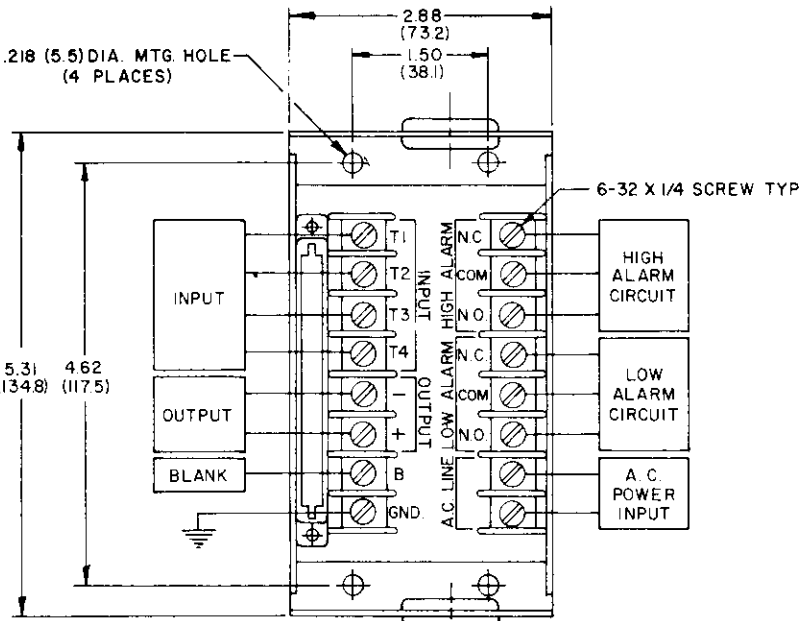
FRONT VIEW  
(TRANSMITTER ONLY)



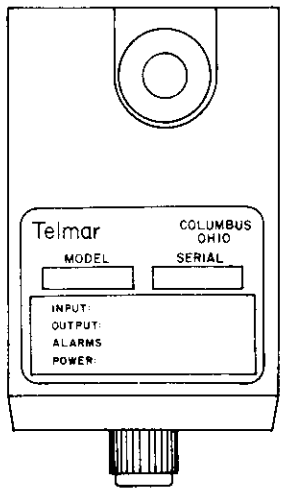
FRONT VIEW  
(TRANSMITTER WITH ALARMS)



RIGHT SIDE VIEW



VIEW A-A



VIEW B-B

- NOTES
1. REFER TO INDIVIDUAL INSTALLATION AND OPERATION INSTRUCTIONS FOR SPECIFIC WIRING DATA.
  2. ALL DIMENSIONS SHOWN IN PARENTHESSES ARE IN MILLIMETERS UNLESS OTHERWISE SPECIFIED.
  3. ZERO SPAN AND ALARM CONTROLS ARE FRONT ADJUSTABLE.
  4. ADJUSTABLE DEADBAND AND L.E.D. OPTION AVAILABLE ON SIGNAL ALARMS ONLY.

DWG  
C- SD-C-0115

QUAN	PART NO	ITEM	DESCRIPTION	DRIG DWG	ITEM
			QUOTE OF ORDER NUMBER		
			<b>Telmar Inc.</b> COLUMBUS OHIO		
			TITLE	"500 SERIES"	
			FOR	MECHANICAL AND ELECTRICAL INSTALLATION DATA	
			DRAWN	DATE	
			CHECKED	DATE	
			APPROVED	DATE	
				NEXT ASSY	DWG NO
					C-0115