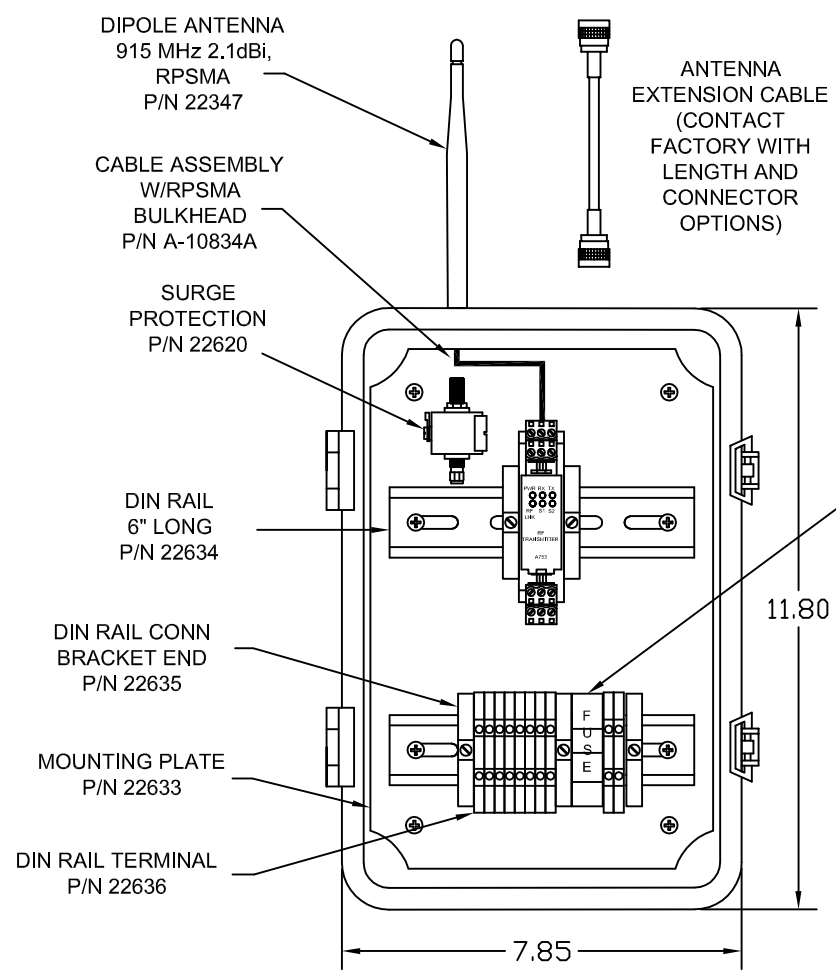
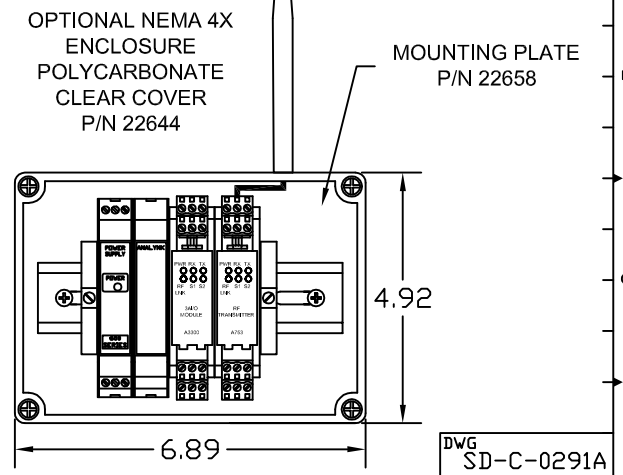


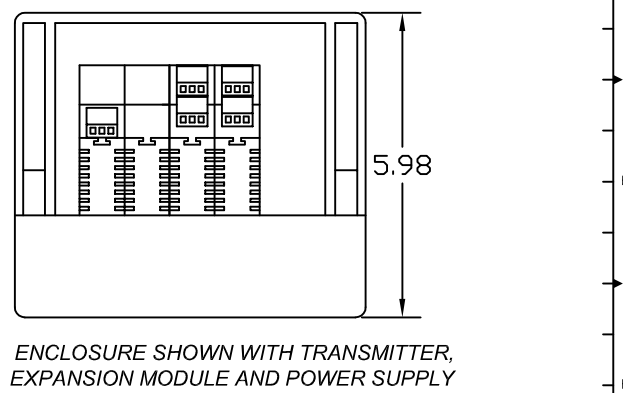
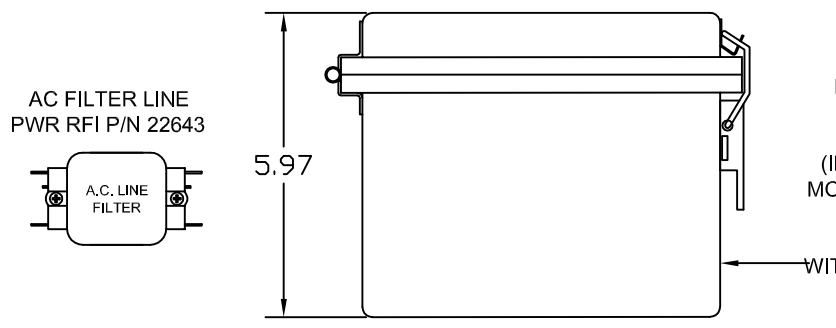
DWG. NO.	SD-C-0291A
REVISIONS	
LAST UPDATE	09/09/09



- OTHER OPTIONS (CONTACT FACTORY):
1. WINDOW RFI SHIELDING (22645)
 2. AC/DC POWER SUPPLY (681000)
 3. METAL ENCLOSURES:
- | DESCRIPTION | PART NUMBER |
|------------------------|-------------|
| 12x10x6 WINDOW NEMA 12 | 22646 |
| 12x10x6 NEMA 4 | 22647 |
| 14x10x6 WINDOW NEMA 12 | 22648 |
| 12x10x6 NEMA 4 | 22649 |
4. POWER ENTRY MODULE WITH ON/OFF 10AMP 22659



DWG SD-C-0291A



ENCLOSURE SHOWN WITH TRANSMITTER, EXPANSION MODULE AND POWER SUPPLY

www.analynk.com
info@analynk.com

NOTE:
ALL DIMENSIONS ARE IN INCHES.

QUOTE OR ORDER NUMBER		Analylnk Wireless, LLC 790 CROSS POINTE ROAD COLUMBUS, OHIO 43230	
BASIC DIMENSIONS		TITLE WIRELESS ENCLOSURE FOR	
SCALE		OPTIONS	
DRAWN	RML	DATE	07/09/09
CHECKED		DATE	
APPROVED		DATE	
NEXT ASS'Y		DWG NO.	SD-C-0291A

FILE NAME
SD-C-0291A.DWG