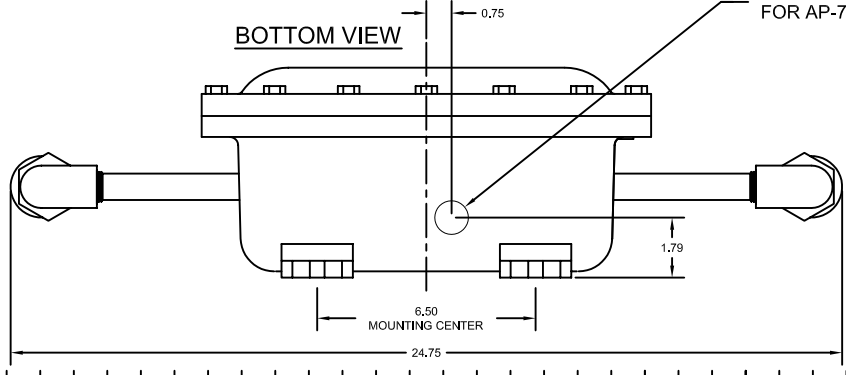
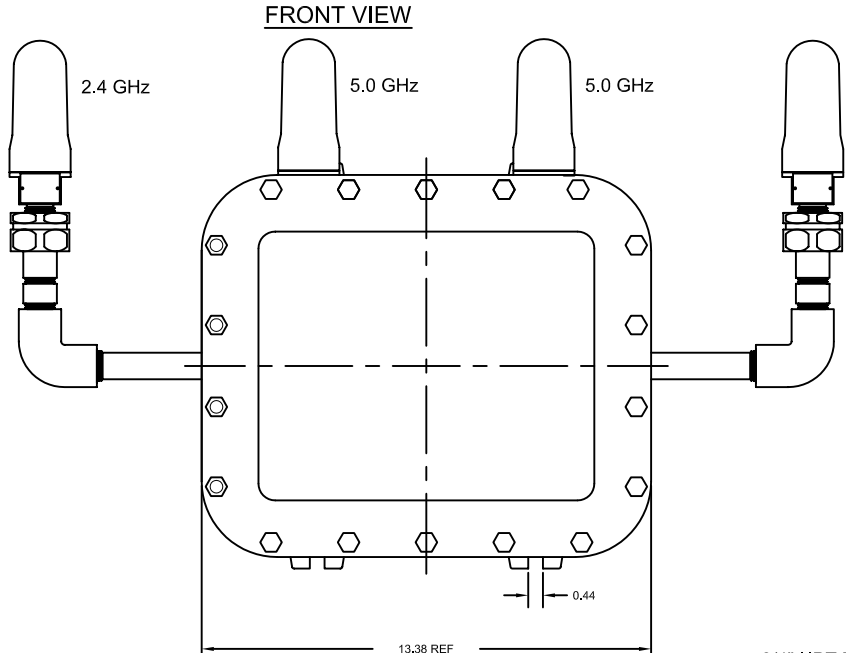
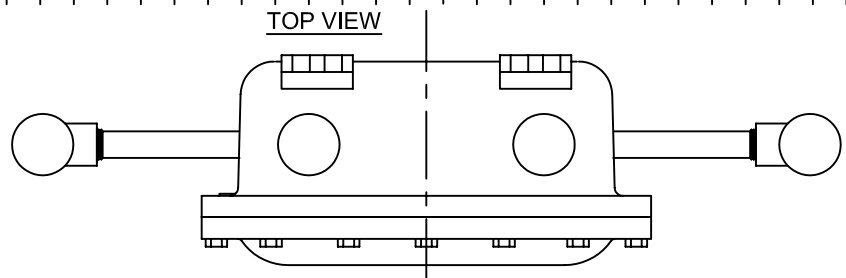
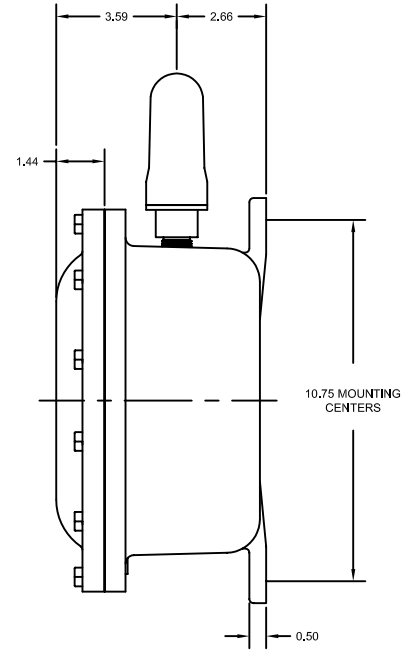


DWG. NO.	SD-D-0285A
REVISIONS	
1	ADDED FREQUENCIES TO ANTENNAS 12/08/08 RL



RIGHT SIDE VIEW



DWG. SD-D-0285A

3/4" NPT ETHERNET PORT FOR AP-70 ENET 0 SOE

- NOTES:
- ENCLOSURE: CLS 1, DIV 1 EXPLOSION PROOF XCE 081004.
 - ACCESS POINT: ARUBA AP70 (NOT INCLUDED).
 - ANTENNAS: CLS 1, DIV 1, GROUPS C & D EXPLOSION PROOF CTX-2400-TR, QTY 2, CTX-5000-TR QTY 2.
 - ALL DIMENSIONS ARE IN INCHES.

QUOTE OR ORDER NUMBER			Analynk Wireless, LLC 790 CROSS POINTE ROAD COLUMBUS, OHIO 43230																									
<table border="1"> <tr> <th>DATE</th> <th>BY</th> <th>DESCRIPTION</th> </tr> <tr> <td>11/04/08</td> <td>RMI</td> <td>ISSUED FOR QUOTE</td> </tr> <tr> <td>11/04/08</td> <td>RMI</td> <td>REVISED</td> </tr> <tr> <td>11/04/08</td> <td>RMI</td> <td>REVISED</td> </tr> <tr> <td>11/04/08</td> <td>RMI</td> <td>REVISED</td> </tr> <tr> <td>11/04/08</td> <td>RMI</td> <td>REVISED</td> </tr> <tr> <td>11/04/08</td> <td>RMI</td> <td>REVISED</td> </tr> <tr> <td>11/04/08</td> <td>RMI</td> <td>REVISED</td> </tr> </table>			DATE	BY	DESCRIPTION	11/04/08	RMI	ISSUED FOR QUOTE	11/04/08	RMI	REVISED	11/04/08	RMI	REVISED	11/04/08	RMI	REVISED	11/04/08	RMI	REVISED	11/04/08	RMI	REVISED	11/04/08	RMI	REVISED	TITLE FOR ACCESS POINT AP202 CLS1 DIV1	
DATE	BY	DESCRIPTION																										
11/04/08	RMI	ISSUED FOR QUOTE																										
11/04/08	RMI	REVISED																										
11/04/08	RMI	REVISED																										
11/04/08	RMI	REVISED																										
11/04/08	RMI	REVISED																										
11/04/08	RMI	REVISED																										
11/04/08	RMI	REVISED																										
CHECKED	DATE	NEXT ASSY	DWG. NO.																									
APPROVED	DATE		SD-D-0285A																									

FILE NAME: SD-D-0285A.DWG