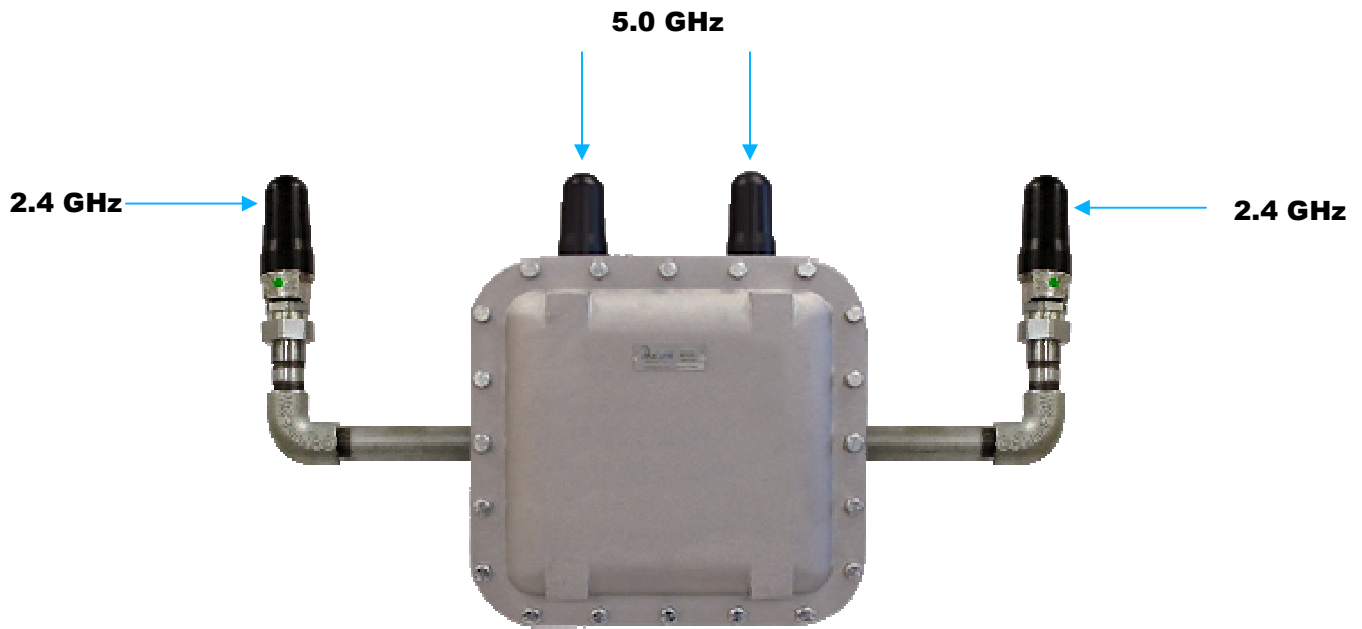




MODEL AP202

Explosion Proof Access Point Enclosure

For Aruba AP70



The AP202 is designed to house the Aruba AP70 access point. The hazardous area enclosure includes four Analynk CTX UL listed Class 1, Division 1, Groups C & D, Zone 1, ATEX Zone 1 antennas (two 2.4GHz and two 5.0GHz), mountings bracket with hardware and four antenna to AP70 RF cables.

Ratings:

Class 1, Div 1 Groups, C & D
-45°C to +85°C

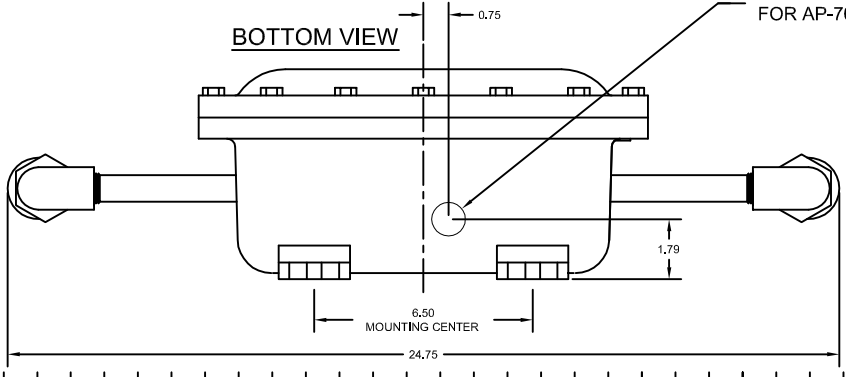
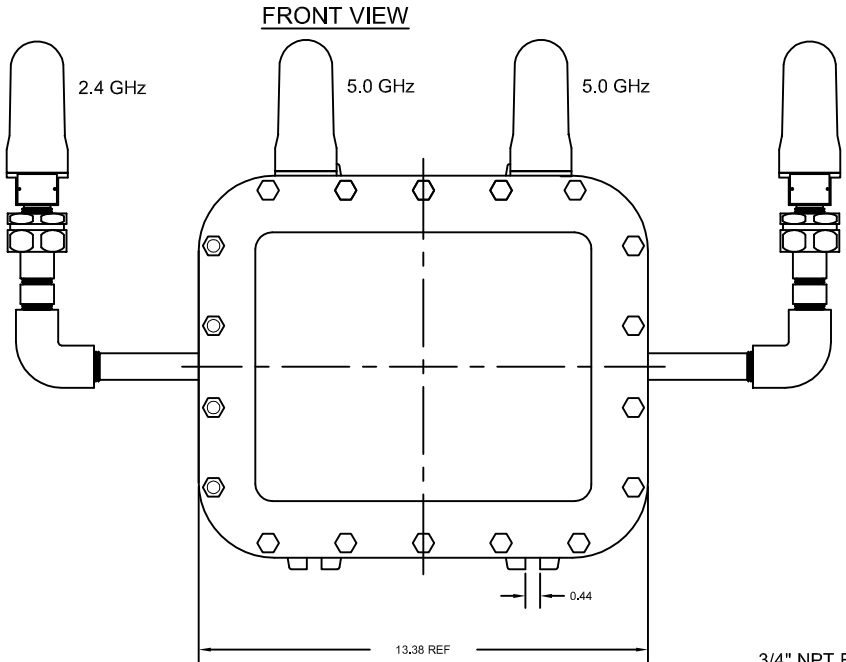
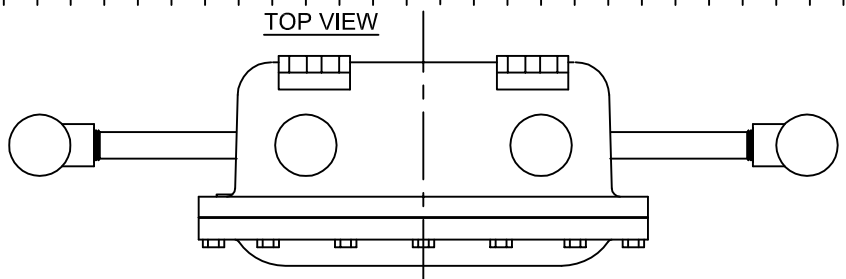
Applications:

- Pharmaceuticals
- Oil refineries
- Oil & Gas Platforms
- Chemical Plants

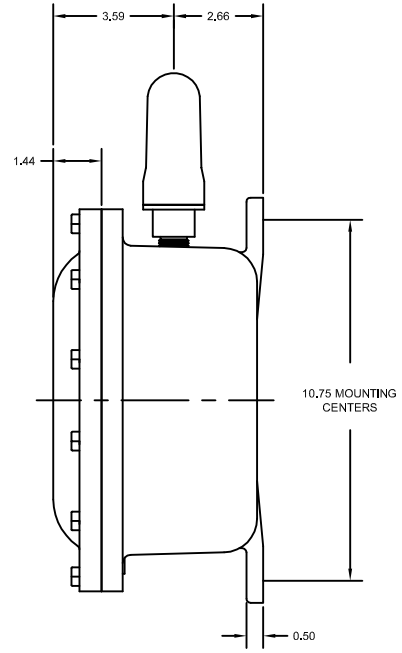
Ordering information:

AP202 (no window)

DWG. NO.	SD-D-0285A
REVISIONS	
-	ADDED FREQUENCIES TO ANTENNAS 12/08/08 RL



RIGHT SIDE VIEW



- NOTES:
1. ENCLOSURE: CLS 1, DIV 1 EXPLOSION PROOF XCE 081004.
 2. ACCESS POINT: ARUBA AP70 (NOT INCLUDED).
 3. ANTENNAS: CLS 1, DIV 1, GROUPS C & D EXPLOSION PROOF CTX-2400-TR, QTY 2, CTX-5000-TR QTY 2.
 4. ALL DIMENSIONS ARE IN INCHES.

DWG. SD-D-0285A

QUOTE OR ORDER NUMBER			Anlynk Wireless, LLC 790 CROSS POINTE ROAD COLUMBUS, OHIO 43230	
DESIGNER/DESIGNED			TITLE	
CHECKED/checked			FOR	
DATE	DATE	DATE	ACCESS POINT	
DATE	DATE	DATE	AP202 CLS1 DIV1	
DATE	DATE	DATE	NEXT ASSY	DWG NO.
DATE	DATE	DATE		SD-D-0285A