

A753-BT **Battery powered wireless** **transmitter**

The Model A753-BT transmitter offers battery power for installations that do not have access to 24Vdc. The transmitter utilizes a real time clock that allows transmission intervals of seconds to days. The transmitter can operate at full one watt of power and includes an excitation supply to power external devices. Input is 4-20mA and two discrete switches (wet or dry). The transmitter communicates with the standard 24Vdc powered A750 receiver. Options include a NEMA 4 enclosure and 2.4GHz, 63mW.

Transmitter Specifications

INPUT RANGE:

4-20mA, optional 0 to 5 VDC

DISCRETE (switch or logic):

Wet or dry contact

Wet contact range: 5 to 32 Vdc

EXCITATION :

12Vdc @ 300mA (max current)

Voltage is regulated and adjustable 34Vdc max.

ACCURACY:

16 bit maximum

RF OUTPUT:

900MHz FHSS 1 Watt (+30 dBm),

Optional: 2.4GHz DSSS 63mW (+18dBm)

TRANSMISSION INTERVAL:

Seconds to days (user specified)

ANTENNA:

Dipole 2.0dBi

POWER:

3.6V lithium battery (battery pack is external to transmitter)

BATTERY LIFE:

Configuration dependent, contact factory (months to years typical)

OPERATING TEMPERATURE RANGE: -40°C to +85°C



APPLICATIONS

- 4 – 20mA RF remote transmission
- Remote switch monitoring
- Pressure measurement
- Temperature measurement
- Tank level measurement

Ordering information:

P/N: A753-BT (Includes TX and 2 D cell battery pack)

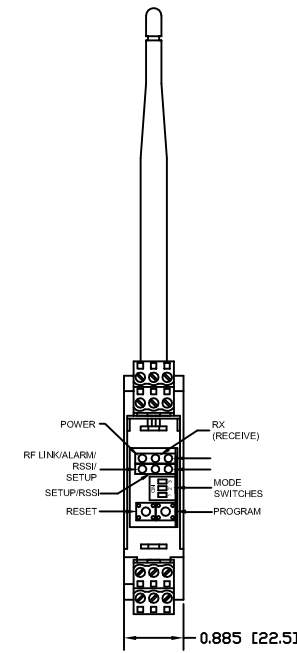
P/N: A753-BT-N4 (TX and Battery Pack Housed in NEMA4 Enclosure)

2.4GHz, 63mW version:

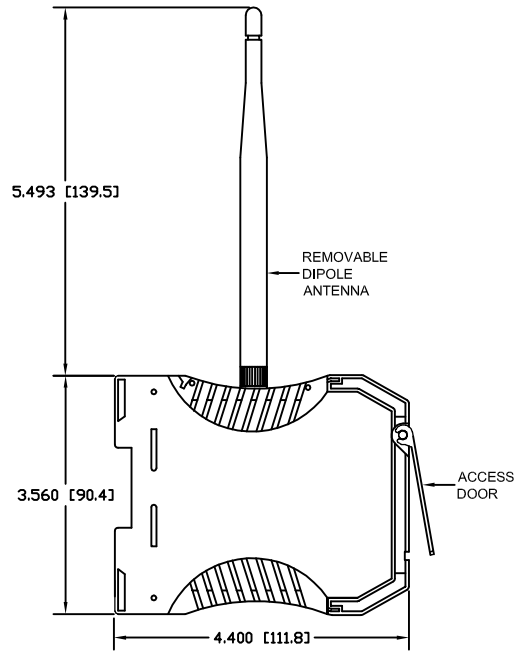
P/N: A753-ZG-BT (Includes TX and 2 D cell battery pack)

P/N: A753-ZG-BT-N4 (TX and Battery Pack Housed in NEMA4 Enclosure)

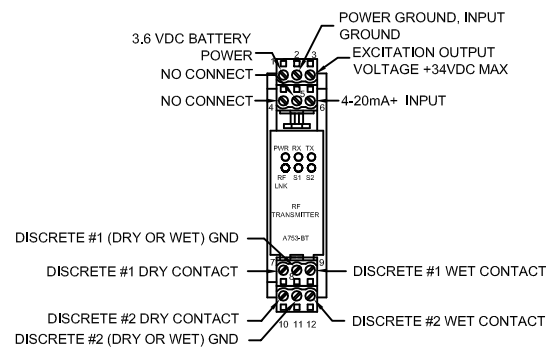
INDICATORS/SWITCHES
ACCESS DOOR OPEN



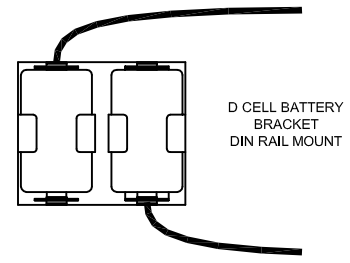
SIDE VIEW



ELECTRICAL CONNECTIONS



D CELL BATTERY
BRACKET
DIN RAIL MOUNT



- NOTES:
1. ALL DIMENSIONS ARE IN INCHES[MILLIMETERS].
2. TRANSMITTER MOUNTS ON 35mm DIN RAIL.

QUOTE OR ORDER NUMBER		Analylnk Wireless, LLC 790 CROSS POINTE ROAD COLUMBUS, OHIO 43230	
DESIGNED BY		TITLE	
DRAWN BY		BATTERY POWER DIN FOR	
CHECKED BY		RF TRANSMITTER	
DATE		NEXT ASS'Y	
DATE		DWG NO.	
DATE		SD-D-0306A	

FILE NAME	CHECKED	DATE
SD-D-0306A.DWG	APPROVED	DATE