



RF WIRELESS DIN SYSTEM

RF WIRELESS DIN POINT TO POINT SYSTEM

The Model A750 series offers simplicity and reliability in a point to point wireless system. Designed for RF transmission of a 4-20mA signal and two discrete (switch) inputs. Switch inputs can be wet or dry. One A753 transmitter can communicate with multiple A750 receivers for redundancy. A repeater can be added simply by placing in between transmitter and receiver, no programming required. Two radio options are available: long range 1W or low cost 63mW. The A753 can be used in multipoint configuration when coupled with A750-MOD receiver. Analog and digital inputs and output are expandable utilizing A0000 modules and AnaBus.

TECHNICAL SPECIFICATIONS

Transmitter Specifications

INPUT RANGE:

4-20mA, optional 0 to 5 VDC

DISCRETE (switch or logic):

Wet or dry contact

Dry contact range: 5 to 32 Vdc

Receiver Specifications

STANDARD OUTPUT (receiver):

4 - 20mA, relay outputs with N.O. and N.C. contacts
Contact ratings: 0.5 A at 125 VAC, 2 A at 30 VDC

RECEIVER SENSITIVITY:

900 MHz: -110 dBm (@ 9600 BPS) 900 MHz
Optional 2.4 GHz -100dBm

Common Specifications

ACCURACY:

16 bit maximum

RF OUTPUT (power is adjustable max power shown):

1 Watt (+30 dBm), 900MHz FHSS
optional 63mW (+18 dBm), 2.4GHz DSSS

POWER (transmitter/receiver):

11 to 32 Vdc

OPERATING TEMPERATURE RANGE:

(transmitter/receiver)
-40 to +85° C

RF ENCRYPTION:

256 bit



FEATURES

- 35 mm DIN Rail Mount
- Standard 1W long range output, optional 63mW
- Removable 2.0dBi dipole antenna
- DIP switch selectable channels
- Signal Strength indicator
- Repeaters available
- No software required

APPLICATIONS

- 4 – 20mA RF transmission
- Remote switch monitoring
- Tank level monitoring
- Alarms

ORDERING INFORMATION

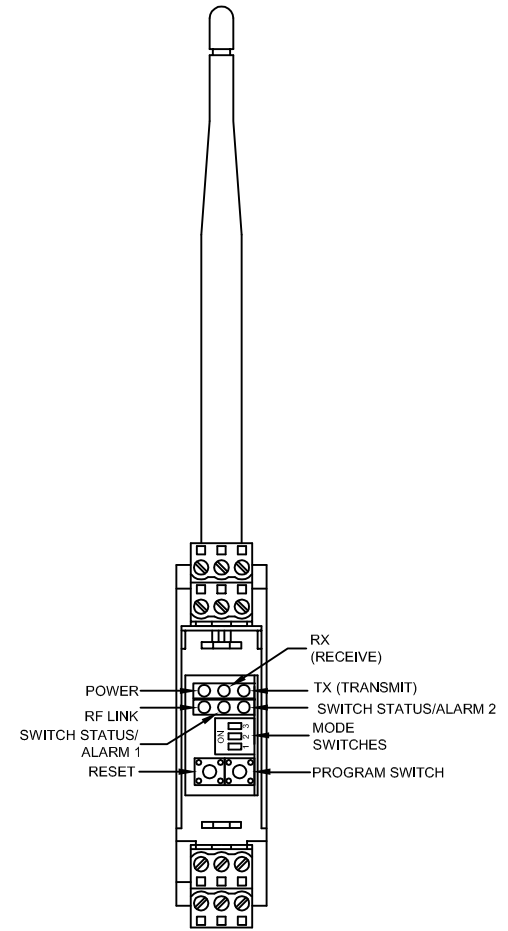
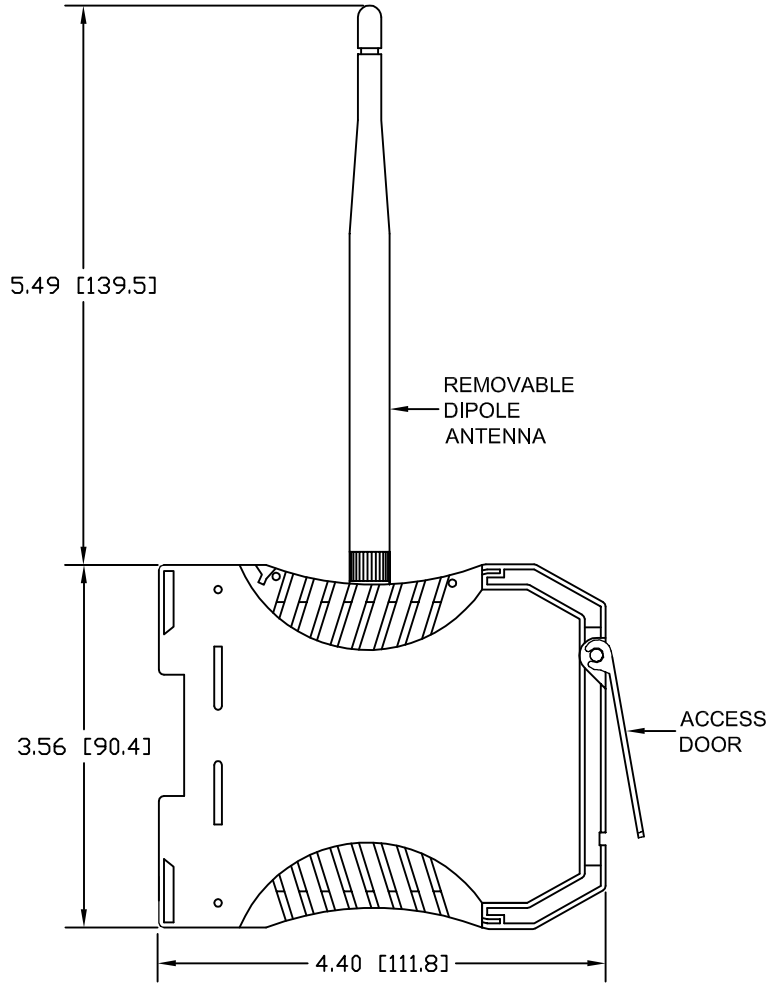
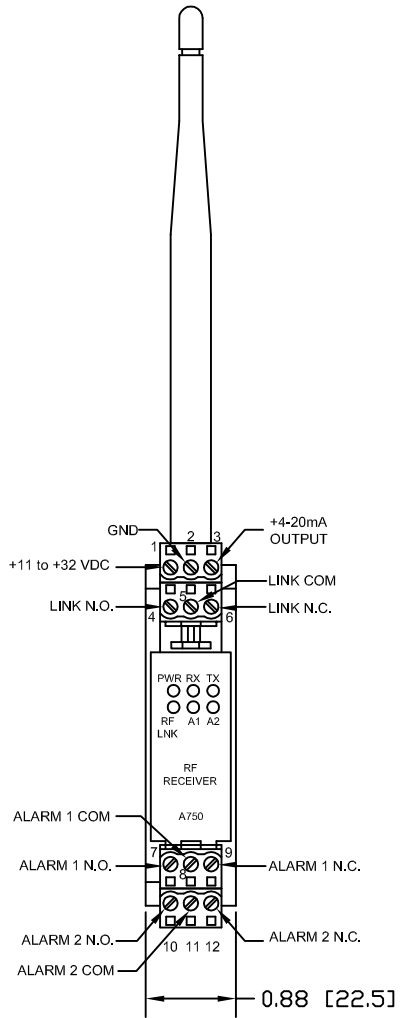
1W, 900MHz receiver: A750
1W, 900MHz transmitter: A753
63mW, 2.4 GHz receiver: A750-ZG
63mW, 2.4GHz transmitter: A753-ZG

DWG. NO.
SD-D-0278A
REVISIONS

FRONT VIEW

SIDE VIEW

INDICATORS/SWITCHES
ACCESS DOOR OPEN



DWG
SD-D-0278A

NOTE:
1) DIMENSIONS IN INCHES [MILLIMETERS].

QUOTE OR ORDER NUMBER		Analylnk Wireless, LLC 790 CROSS POINTE ROAD COLUMBUS, OHIO 43230	
Directions in inches unless other wise specified			
DIMENSION TOLERANCES UNLESS OTHERWISE SPECIFIED			
BASIC DIMENSIONS	FRACTIONAL	DECIMAL	TITLE
UP TO 6	+/- 1/64	+/- .005	RF DIN 4-20mA
OVER 6 TO 24	+/- 1/32	+/- .005	FOR
OVER 24	+/- 1/16	+/- .010	A750 RECEIVER
SCALE FULL	DO NOT SCALE DRAWING WORK TO DIMENSIONS	DATE 05/02/08	
DRAWN RML	DATE	NEXT ASS'Y	DWG NO. SD-D-0278A
CHECKED	DATE		
APPROVED	DATE		

FILE NAME
SD-D-0278A